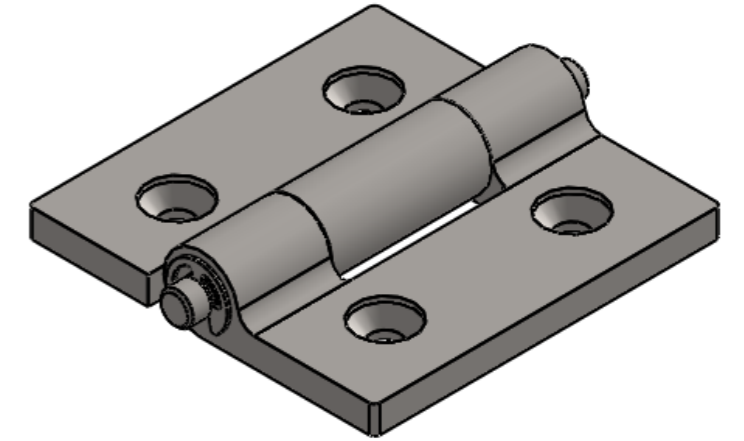
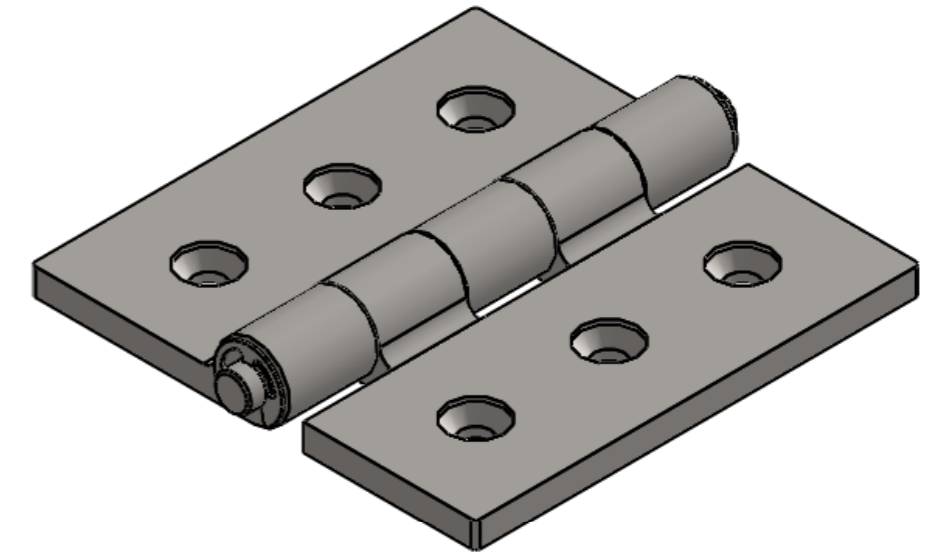
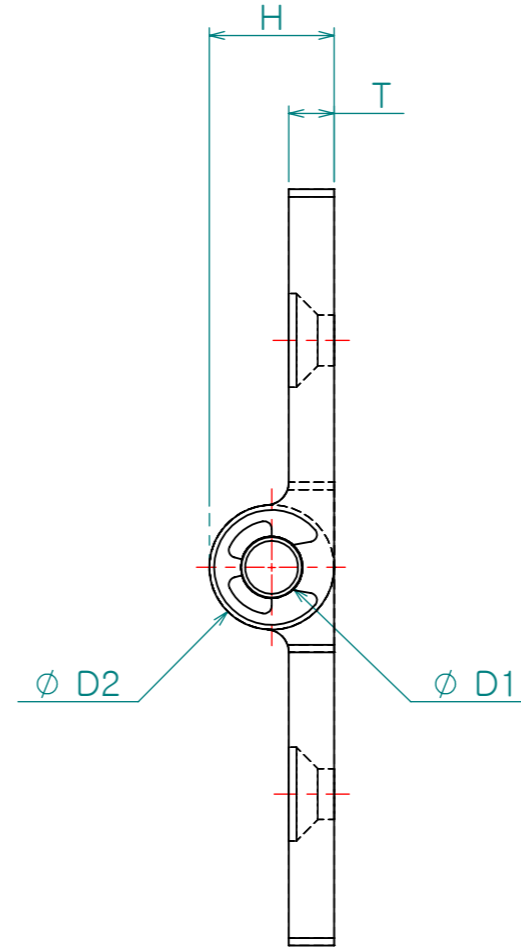
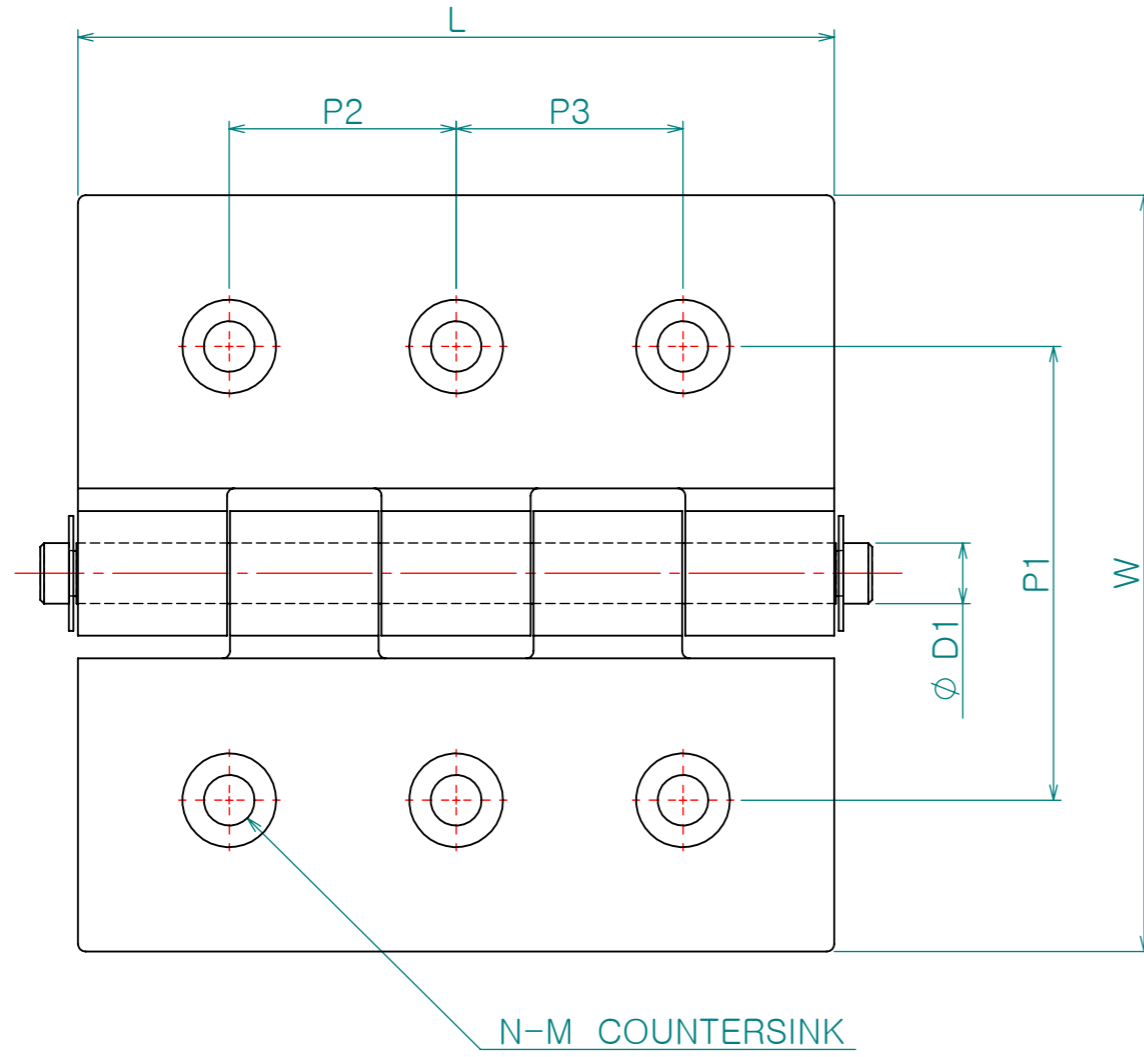


Re. No.	DESCRIPTION	DATE	DS.	CH.	AP.
△					
△					
△					



제품명	L	W	P1	P2	P3	T	H	D1	D2	N-M
CH- 004-1	50	50	34	20	-	5.2	13.5	6	13.5	4-5
CH- 004-2	65	65	39	35	-	5.2	14	6	14	4-5
CH- 004-3	75	75	49	40	-	5.7	16.5	8	16.5	4-6
CH- 004-4	100	100	60	30	30	6	16.5	8	16.5	6-6

Note

- 1. 특징 :
- 2. 용도 :

Dimension (mm)	Precision	Material	Dwg. No.	QTY
0.5~3	±0.05	ST304	Part Name.	**
3~6		Finish		Weight
6~30	±0.1	광택연마	**	-
30~120	±0.15	Revision	Ass'y Name	Scale
120~315	±0.2	-	**	1:1
315~1000	±0.3	Date	Model No.	
1000~2000	±0.5	2013-10-02	CH- 004	
KS B 0412에 준함		Designed by		
		Shin S H		
		Checked by		
		Approved by		