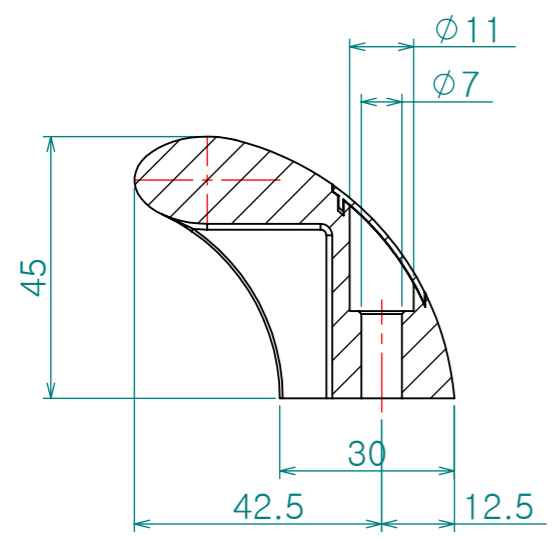
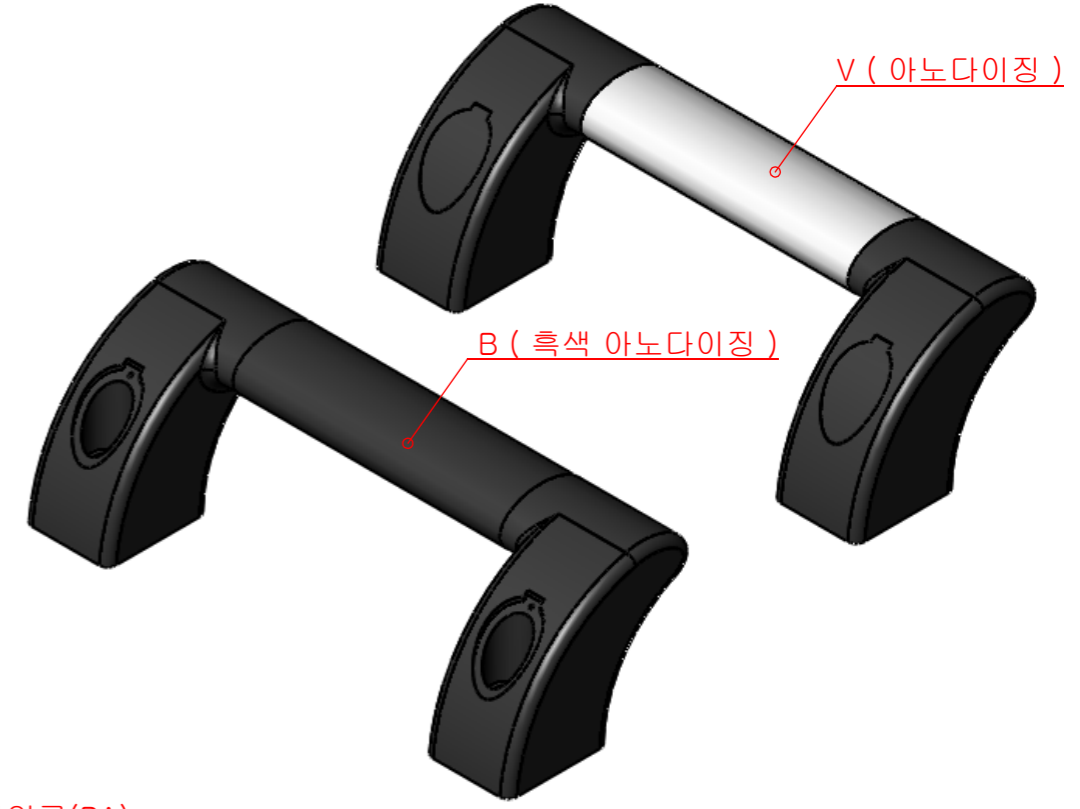
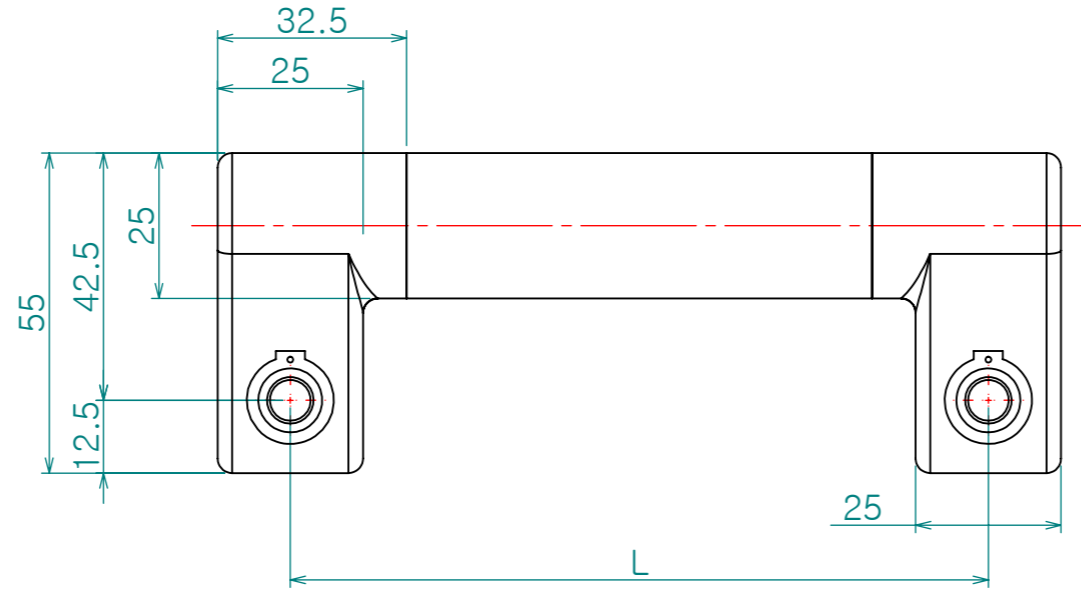
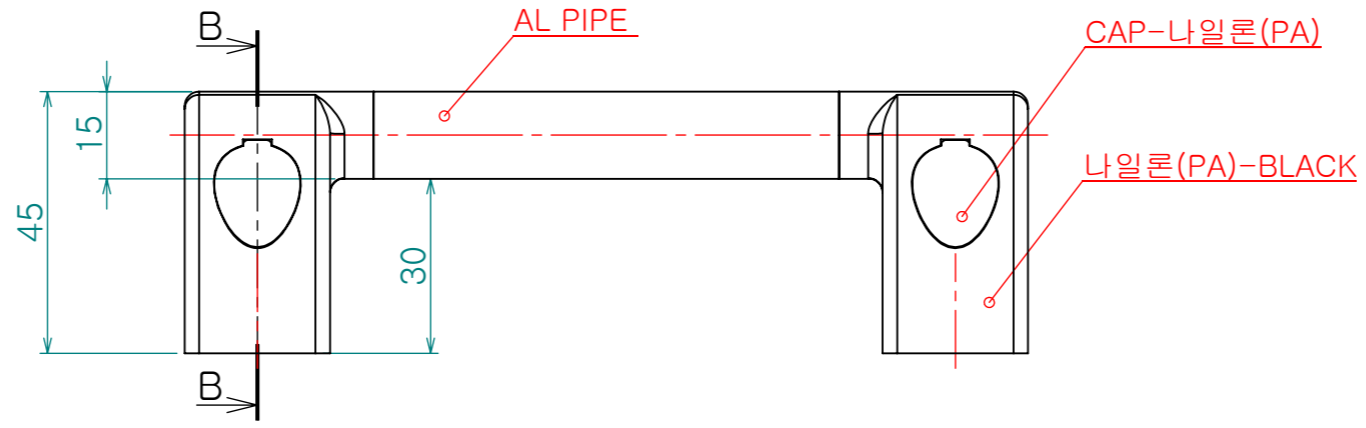


Re. No.	DESCRIPTION	DATE	DS.	CH.	AP.
△					
△					
△					



단면 B-B



제품명	L
CA-1021S-120B, V	120
CA-1021S-140B, V	140
CA-1021S-170B, V	170

Note

- 특징 :
- 용도 :

Dimension (mm)	Precision	Material	Dwg. No.	QTY	
0.5~3		PA		BLACK	
3~6	±0.05	Finish	Part Name.	Weight	
6~30	±0.1	**	**	-	
30~120	±0.15	Revision	Sheet Size	Scale	
120~315	±0.2	-	A3	1:1.3	
315~1000	±0.3	Date	Designed by	Model No.	
1000~2000	±0.5	2013-09-24	Shin S H	CA-1021S	
KS B 0412에 준함		Checked by	Approved by	Hardware	