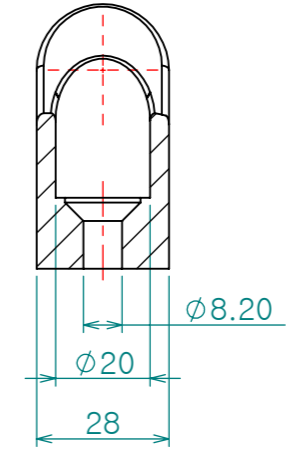
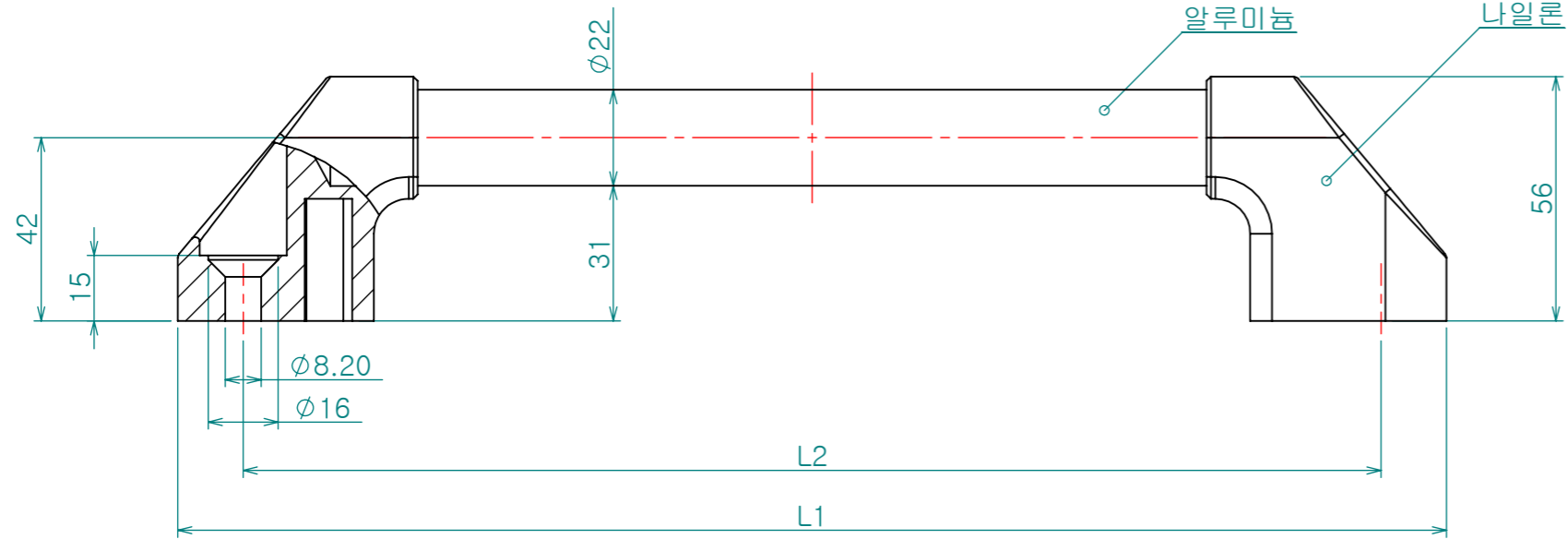
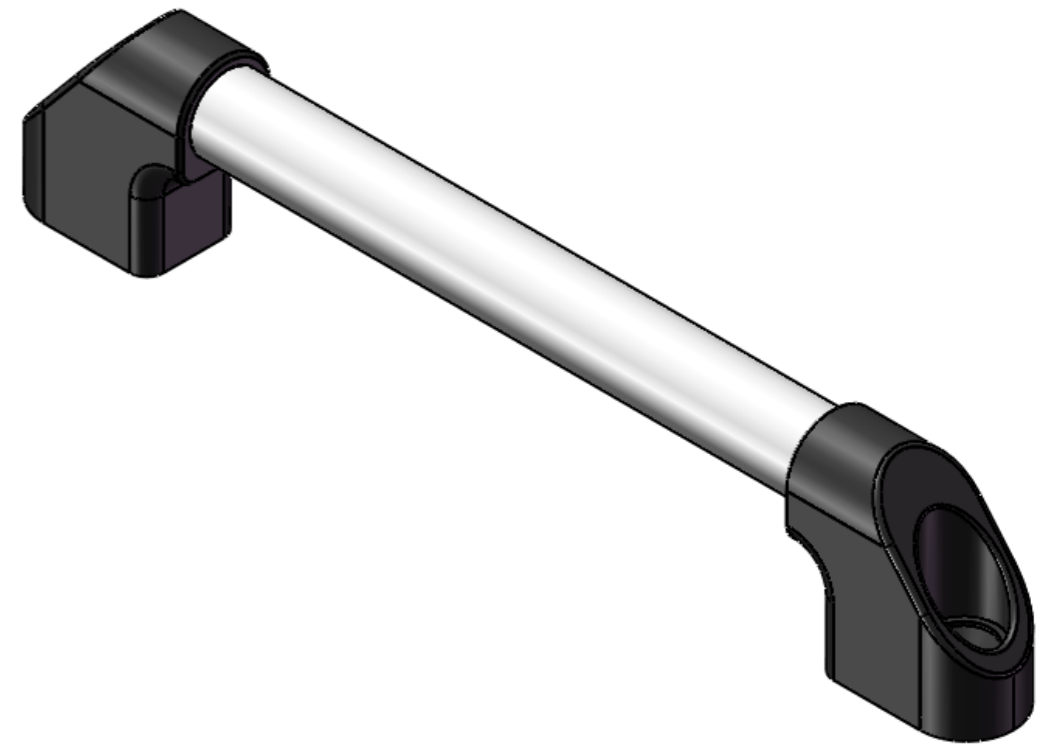
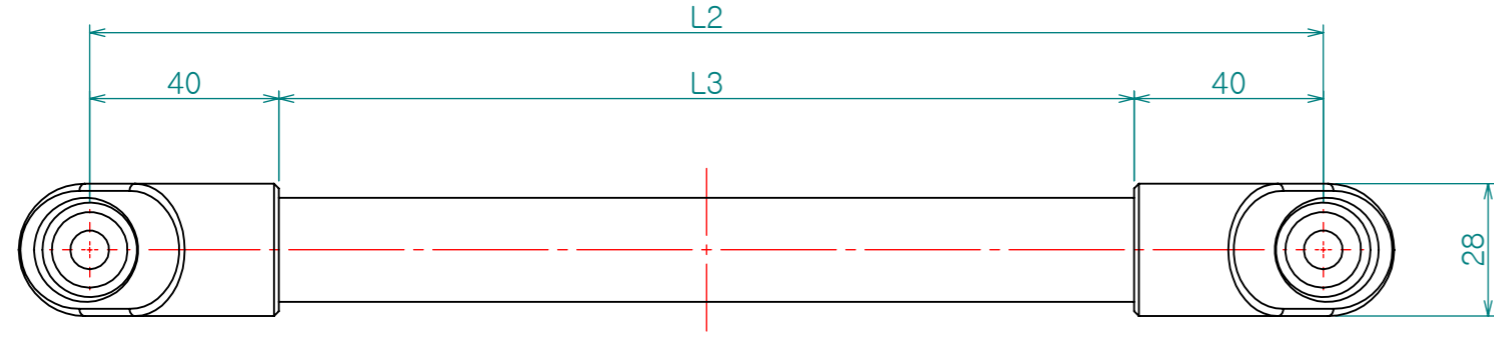


Re. No.	DESCRIPTION	DATE	DS.	CH.	AP.
△					
△					
△					



제품명	L1	L2	L3
CA- 006S-1	241	211	131
CA- 006S-2	291	261	181
CA- 006S-3	341	311	231
CA- 006S-4	391	361	281

Note

- 1. 특징 :
- 2. 용도 :

Dimension (mm)	Precision	Material **	Dwg. No.	QTY *EA
0.5~3	±0.05	Finish **	Part Name. **	Weight -
3~6				
6~30	±0.1	Revision -	Sheet Size <b>A3</b>	Ass'y Name **
30~120	±0.15			
120~315	±0.2	Date 2010-11-26	Designed by <i>Shin S H</i>	Scale 1:1.6
315~1000	±0.3	Checked by	Approved by	Model No. <b>CA- 006S</b>
1000~2000	±0.5	KS B 0412에 준함		