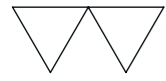
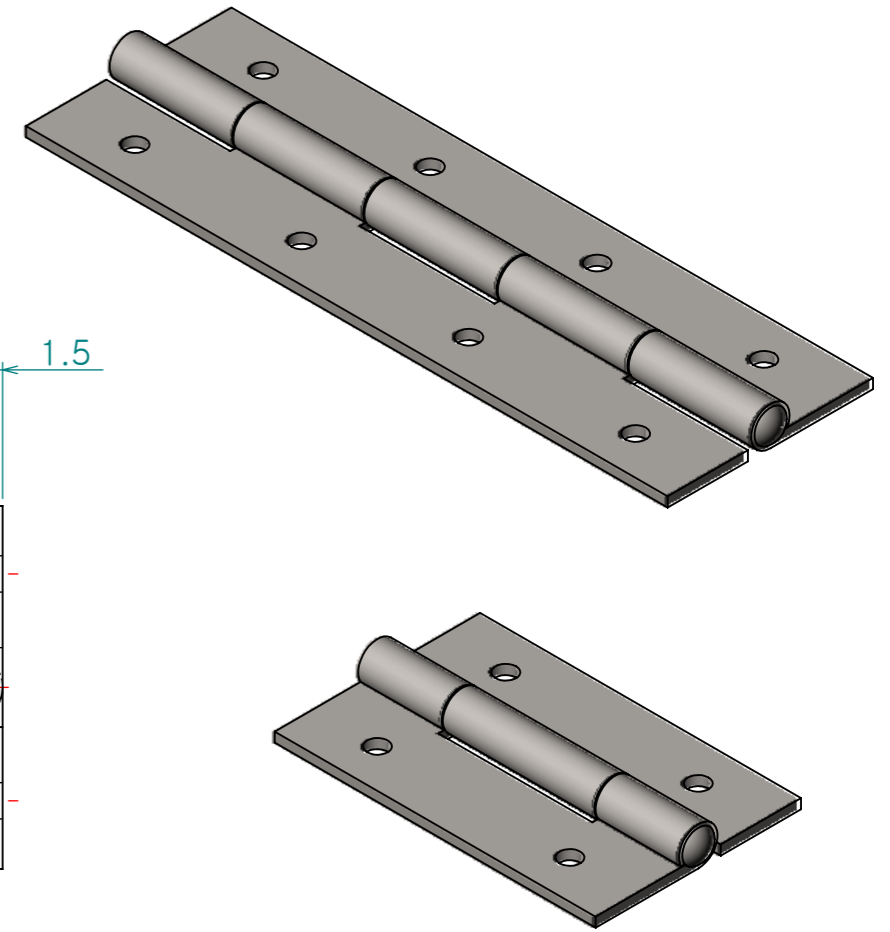
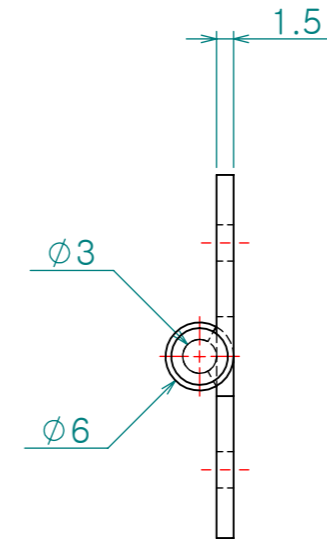
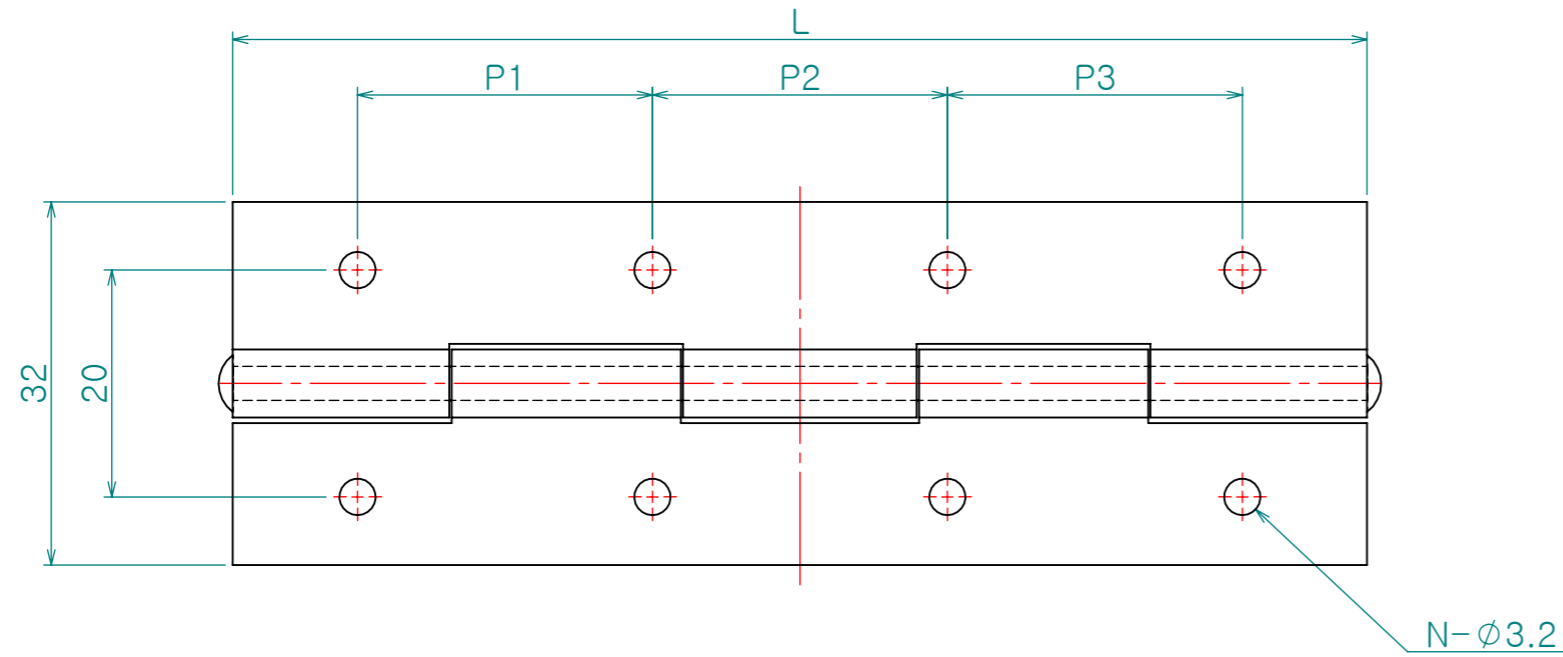


Dwg. No.



Re. No.	DESCRIPTION	DATE	DS.	CH.	AP.
△					
△					
△					



제품명	L	P1	P2	P3	N
CH- 003-30	30	16	-	-	4
CH- 003-50	50	30	-	-	4
CH- 003-75	75	28	28	-	6
CH- 003-90	90	35	35	-	6
CH- 003-100	100	26	26	26	8

Note

- 특징 :
- 용도 :

Dimension (mm)	Precision	Material	Dwg. No.	QTY
0.5~3	±0.05	ST304	-	**
3~6		Finish		Part Name.
6~30	±0.1	광택연마	-	Weight
30~120	±0.15	Revision	Sheet Size	-
120~315	±0.2	-	A3	Scale
315~1000	±0.3	Date	Designed by	1.5:1
1000~2000	±0.5	2015-04-20	Shin S H	Model No.
KS B 0412에 준함		Checked by	Approved by	CH- 003