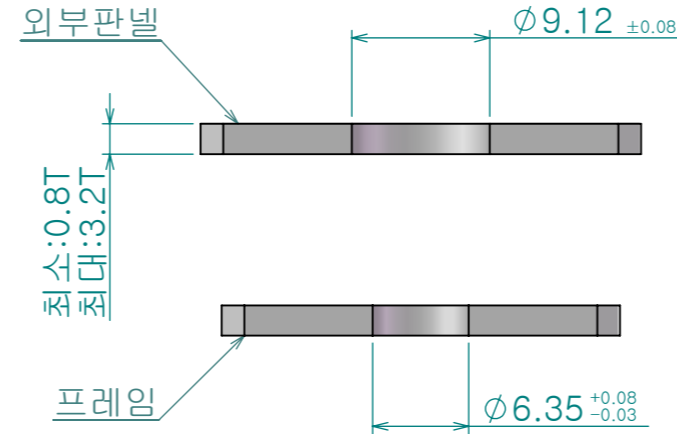
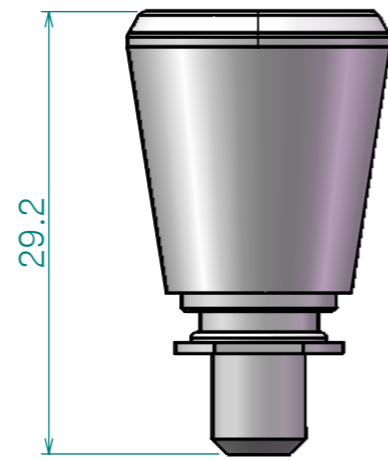
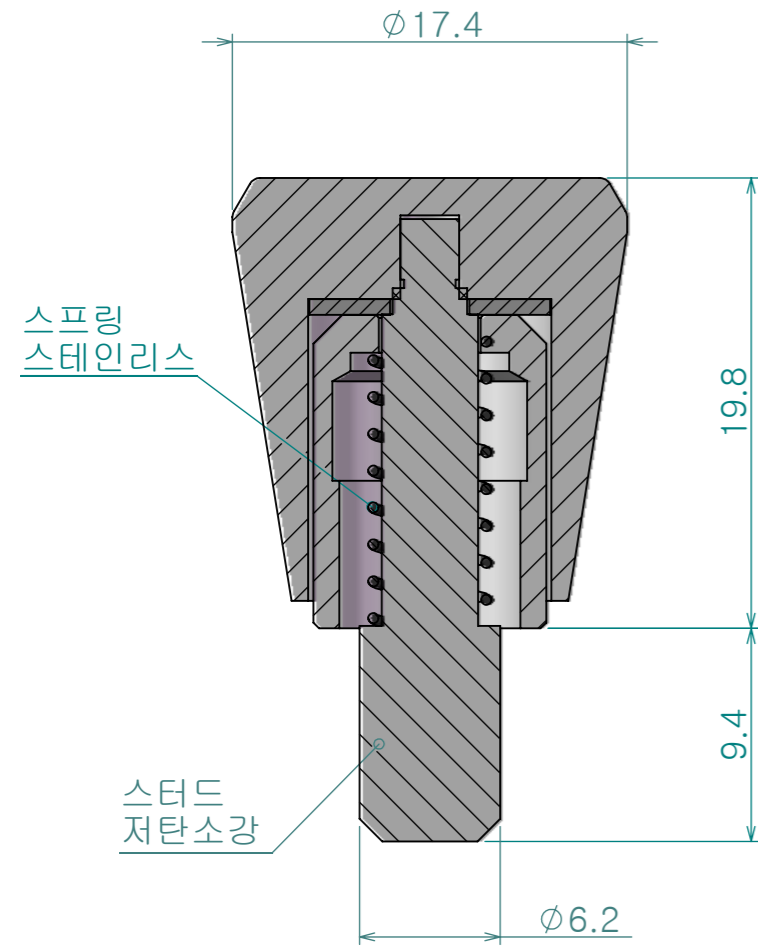
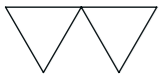
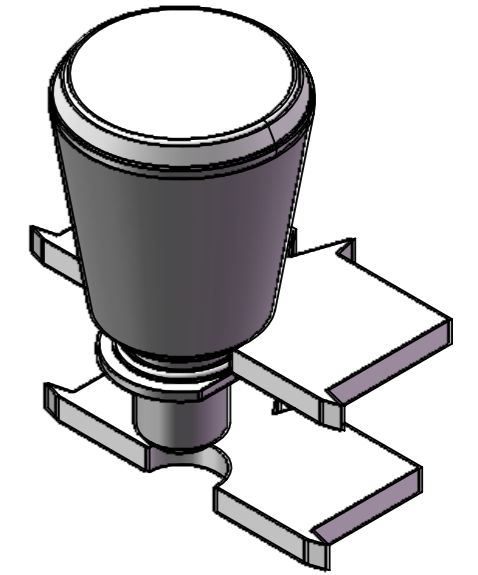
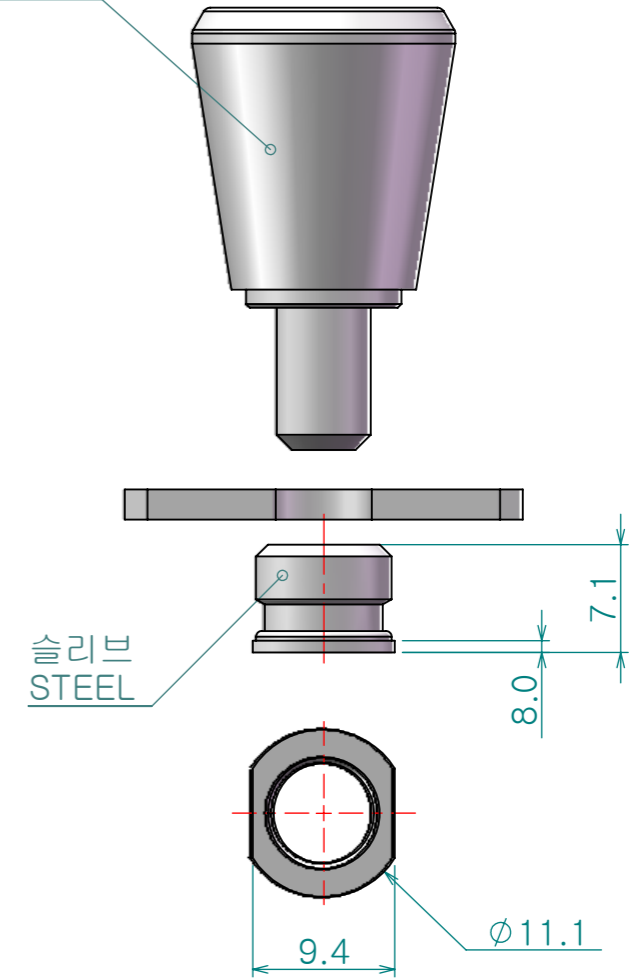


Re. No.	DESCRIPTION	DATE	DS.	CH.	AP.
△					
△					
△					



노면 알루미늄



Note

- 특징 :
- 용도 :

Dimension (mm)	Precision	Material	Dwg. No.	QTY	
0.5~3	±0.05	Finish	Part Name.	Weight	
3~6					
6~30	±0.1	Revision	Sheet Size	Ass'y Name	
30~120	±0.15				
120~315	±0.2				
315~1000	±0.3	Date	Designed by	Model No.	
1000~2000	±0.5	2015-11-20	Shin S H		
KS B 0412에 준함		Checked by	Approved by	CE-AA05-0018B	