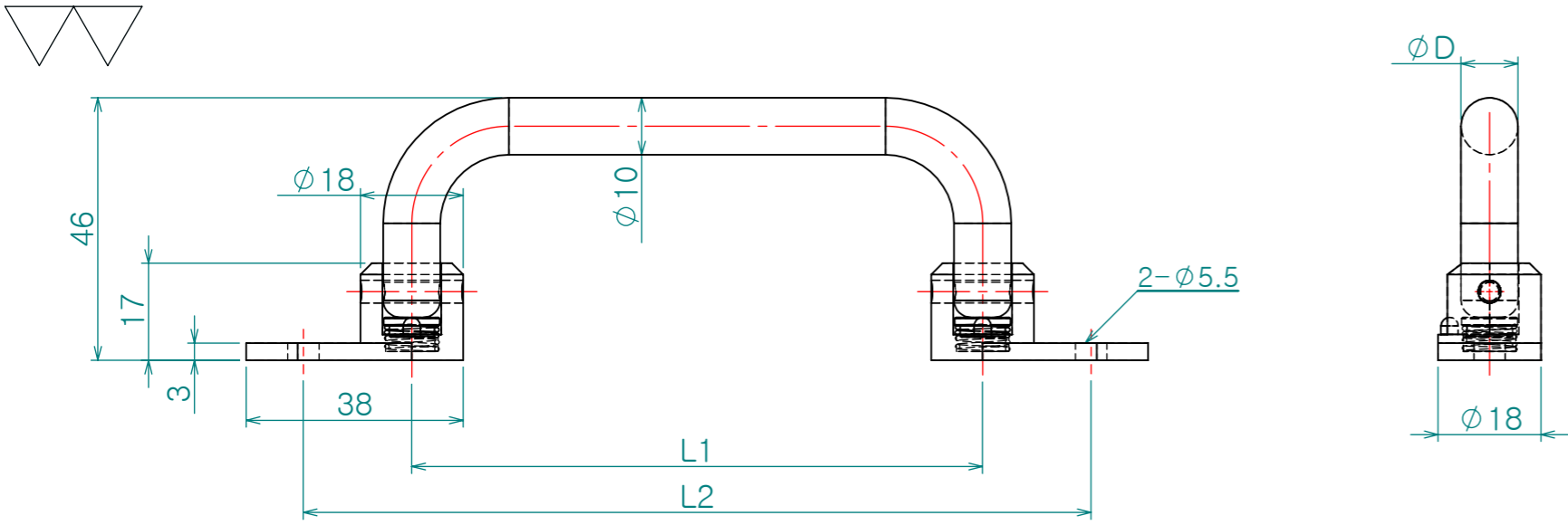
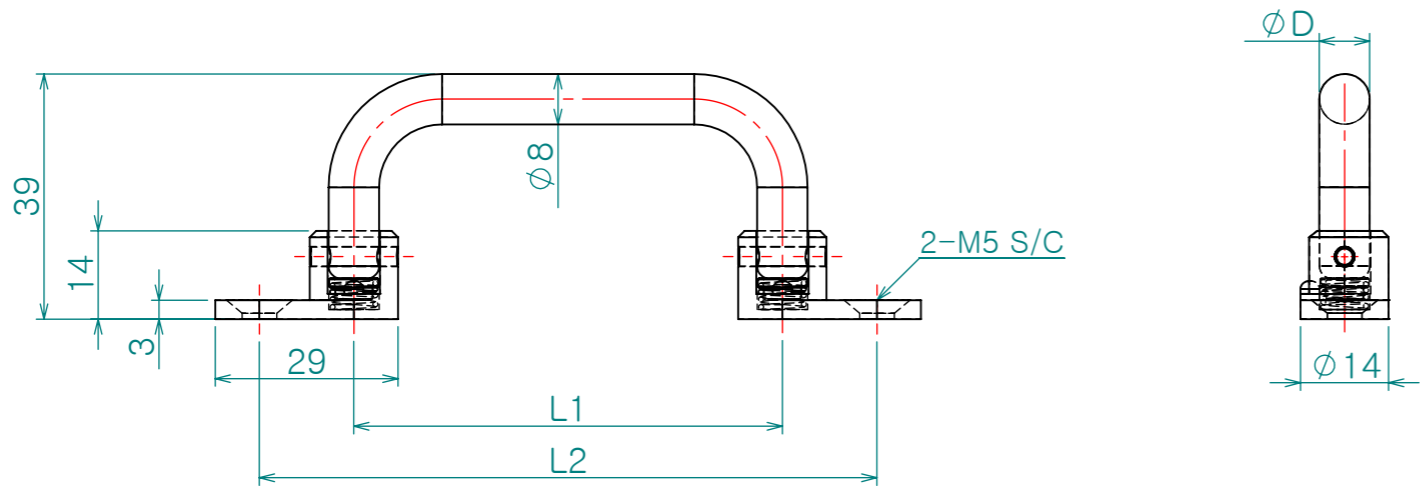


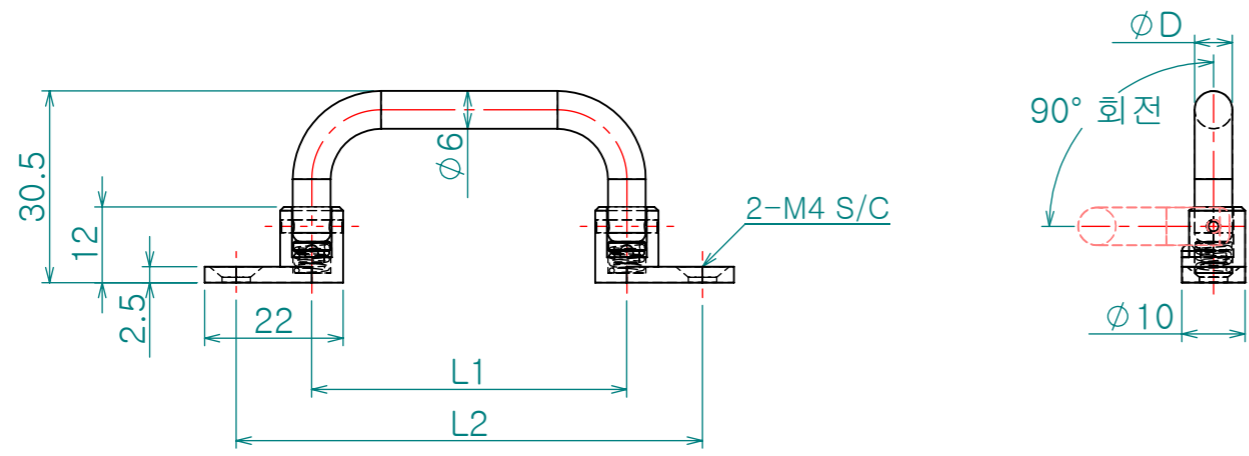
Re. No.	DESCRIPTION	DATE	DS.	CH.	AP.
△					
△					
△					



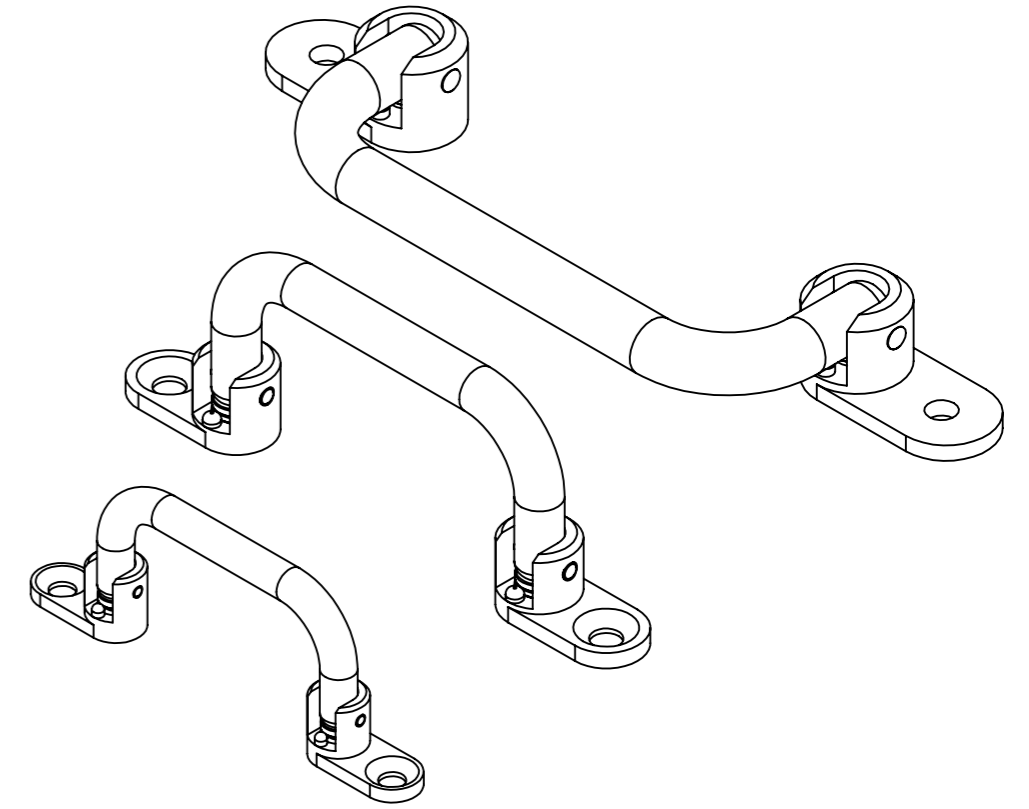
※ CA-1008-1,2,3,4



※ CA-1008-M1,2,3,4,5



※ CA-1008-S1,2,3



제품명	L1	L2	ØD
CA-1008-S1	50	74	6
CA-1008-S2	75	99	
CA-1008-S3	90	114	
CA-1008-M1	68	98	8
CA-1008-M2	90	120	
CA-1008-M3	100	130	
CA-1008-M4	110	140	
CA-1008-M5	120	150	
CA-1008-1	100	138	10
CA-1008-2	120	158	
CA-1008-3	180	218	
NEW CA-1008-4	142	180	

Note

1. 특징 :

2. 용도 :

Dimension (mm)	Precision	Material	Dwg. No.	QTY
0.5~3	±0.05	ST304	Part Name.	**
3~6		Finish		**
6~30	±0.1	광택연마	Ass'y Name	-
30~120	±0.15	Revision	**	Scale
120~315	±0.2	-	Sheet Size	1:1.2
315~1000	±0.3	Date	Designed by	Model No.
	1000~2000	±0.5	2015-04-08	
KS B 0412에 준함		Checked by	Approved by	CA-1008
				Hardware