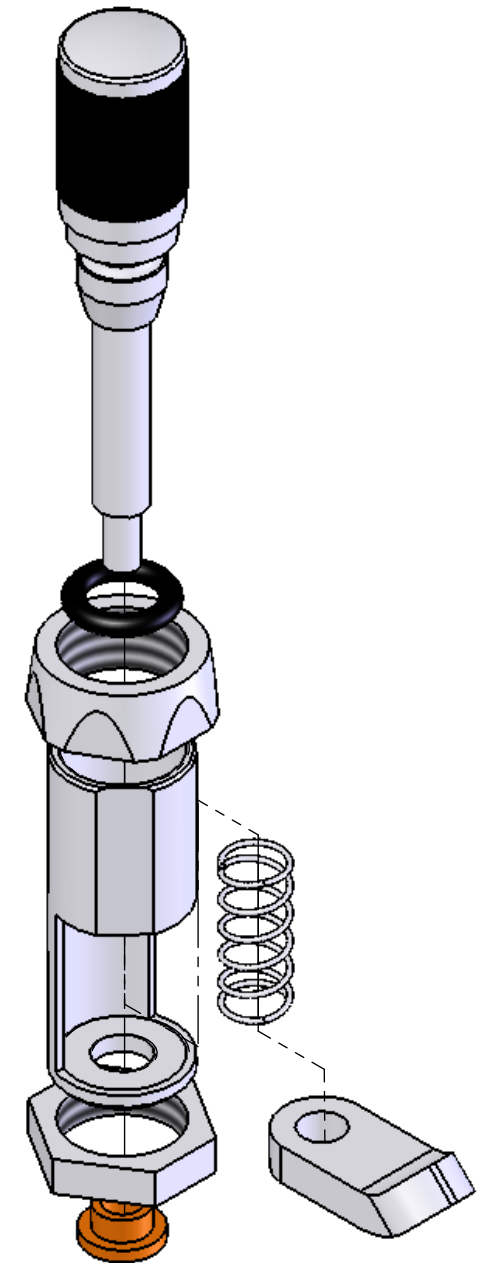
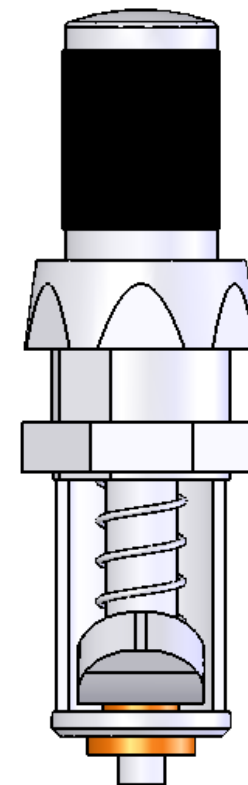
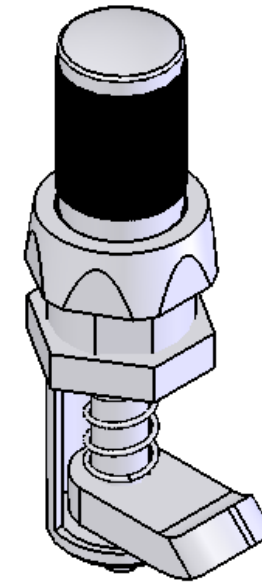
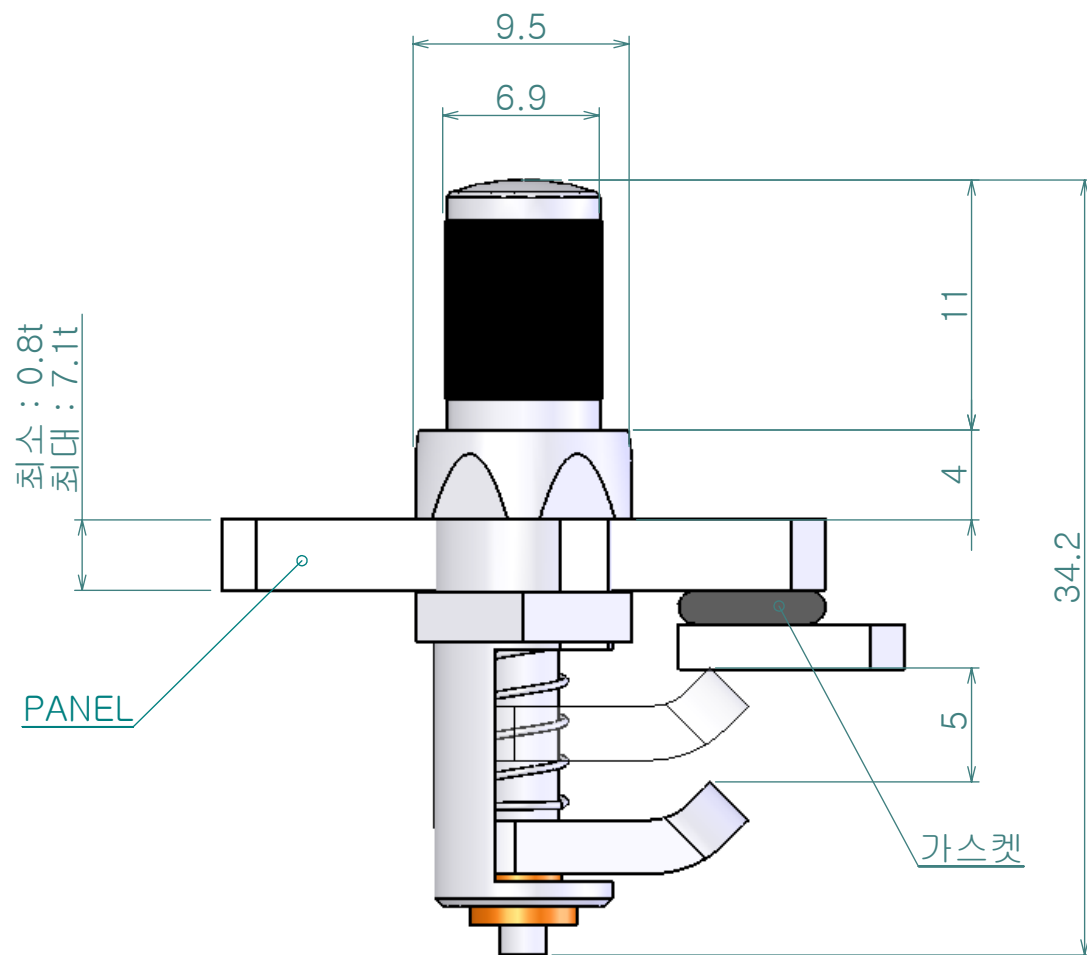
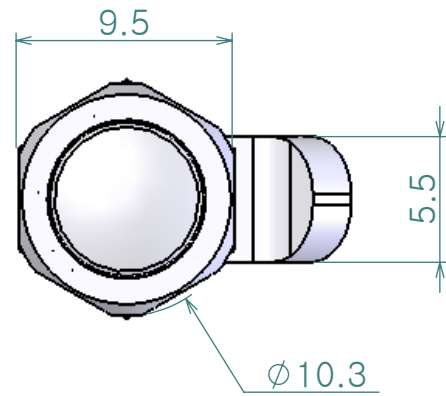
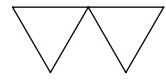


Re. No.	DESCRIPTION	DATE	DS.	CH.	AP.
△					
△					
△					



Note

- 1. 특징 :
- 2. 용도 :

Dimension (mm)	Precision	Material	Dwg. No.	QTY
0.5~3	±0.05	Finish	Part Name.	Weight
3~6				
6~30	±0.1	Revision	Sheet Size	Ass'y Name
30~120	±0.15			
120~315	±0.2	-	A3	Scale
315~1000	±0.3	Date	Designed by	Model No.
1000~2000	±0.5	2011-08-04	<i>Shin S H</i>	
KS B 0412에 준함		Checked by	Approved by	CE-AZ00-0016