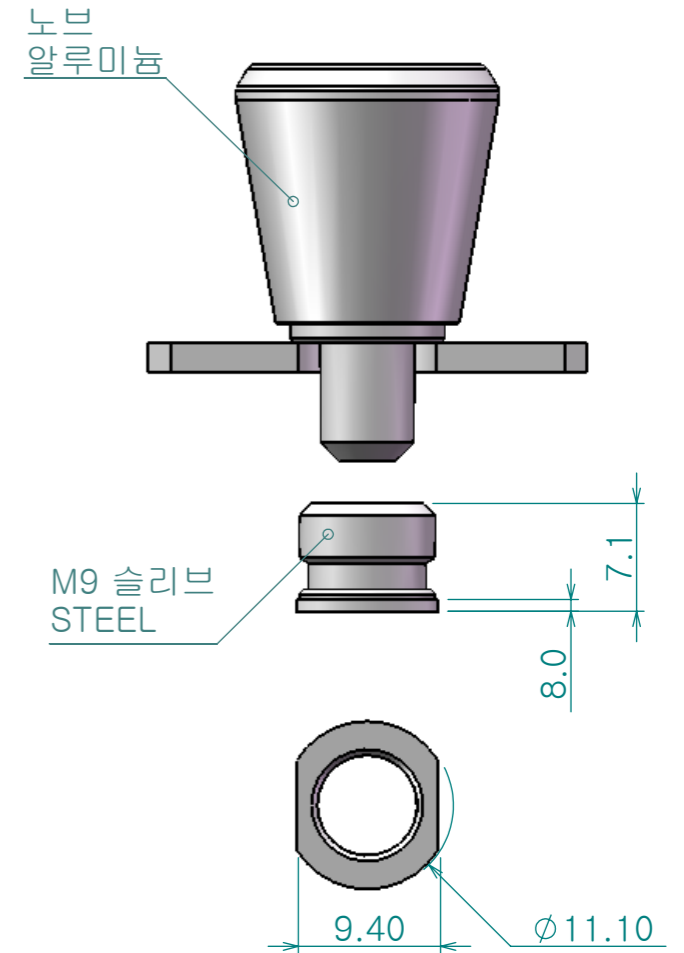
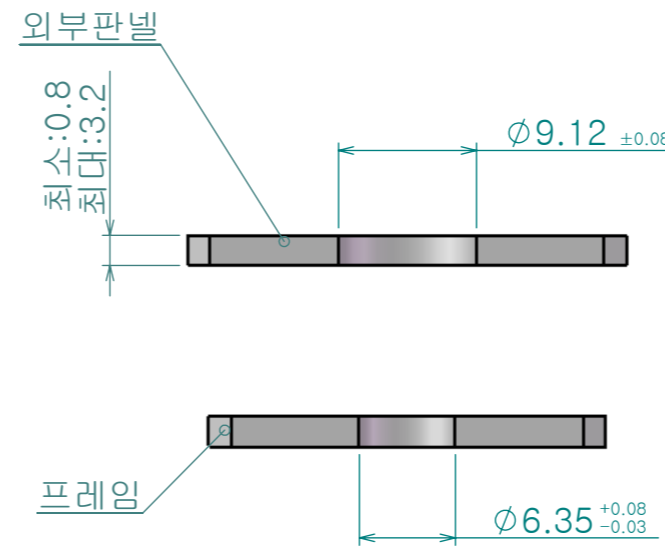
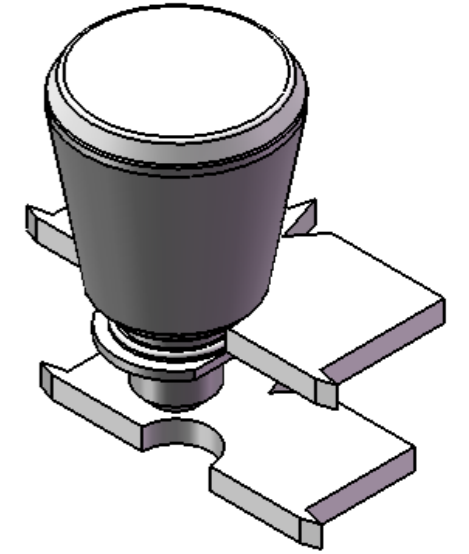
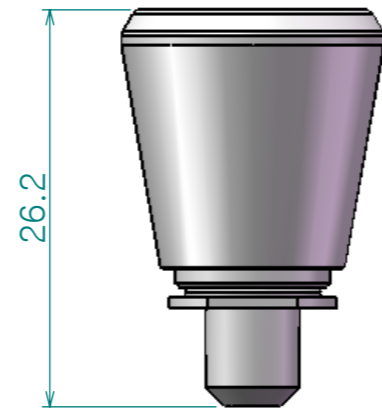
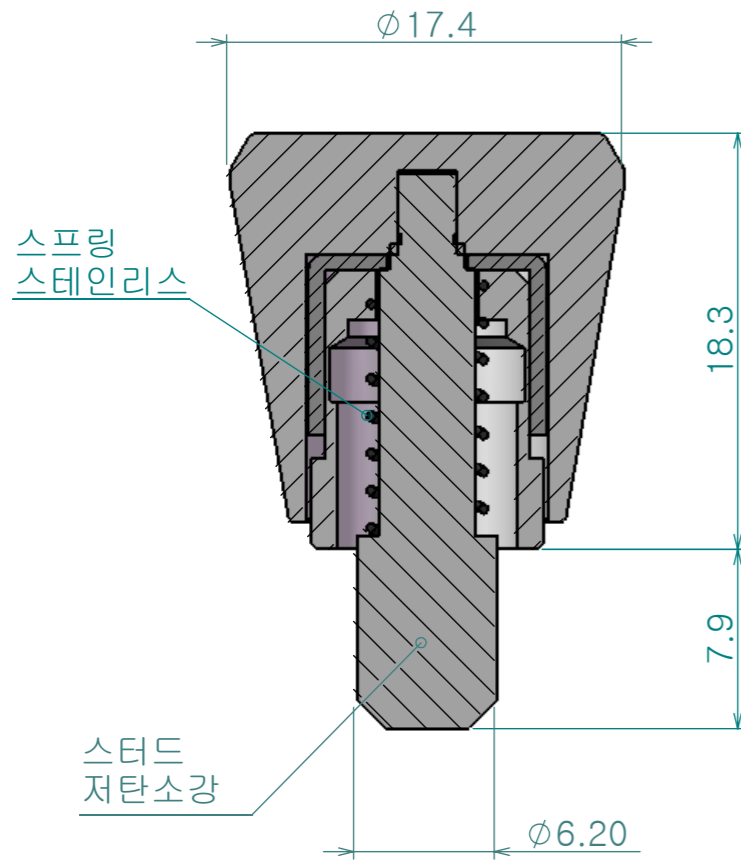
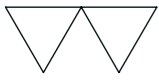


| Re. No. | DESCRIPTION | DATE | DS. | CH. | AP. |
|---------|-------------|------|-----|-----|-----|
| △ | | | | | |
| △ | | | | | |
| △ | | | | | |



Note

1. 특징 :
2. 용도 :

| Dimension (mm) | Precision | Material | Dwg. No. | QTY |
|----------------|-----------|------------|-------------|----------------------|
| 0.5~3 | ±0.05 | Finish | Part Name. | Weight |
| 3~6 | | | | |
| 6~30 | ±0.1 | Revision | Sheet Size | Ass'y Name |
| 30~120 | ±0.15 | | | |
| 120~315 | ±0.2 | - | A3 | Scale |
| 315~1000 | ±0.3 | Date | Designed by | Model No. |
| 1000~2000 | ±0.5 | 2011-08-04 | Shin S H | |
| KS B 0412에 준함 | | Checked by | Approved by | CE-AA05-0018A |
| | | | | |
| | | | | |