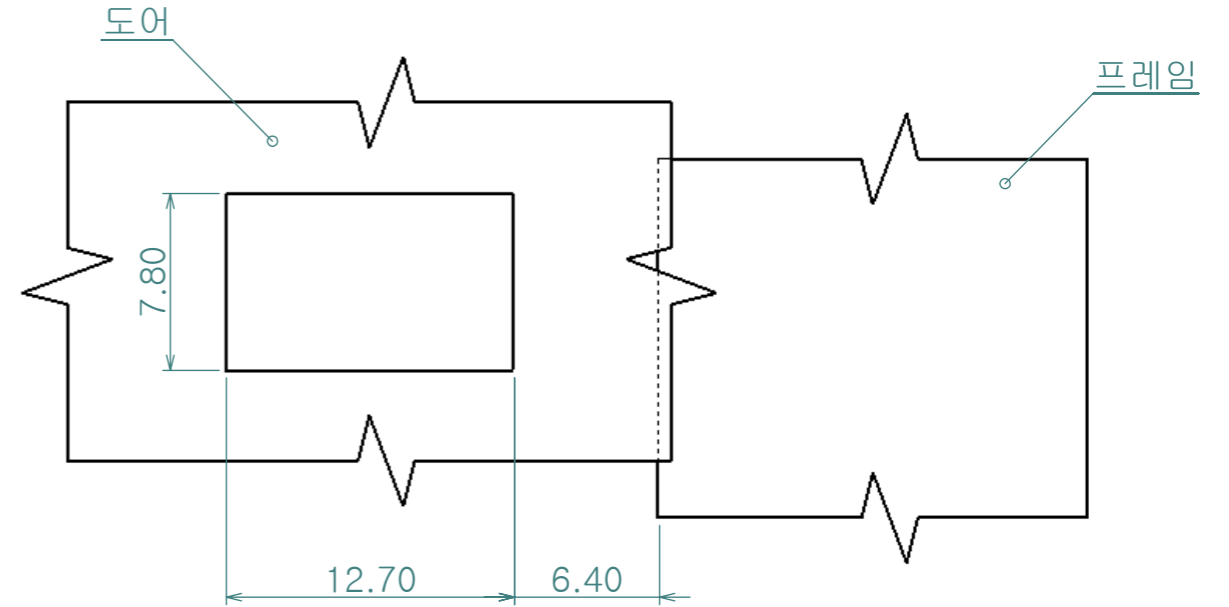
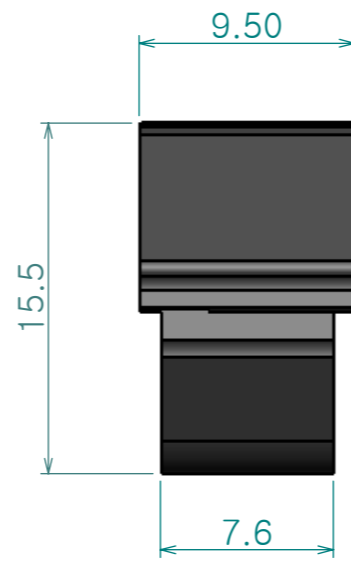
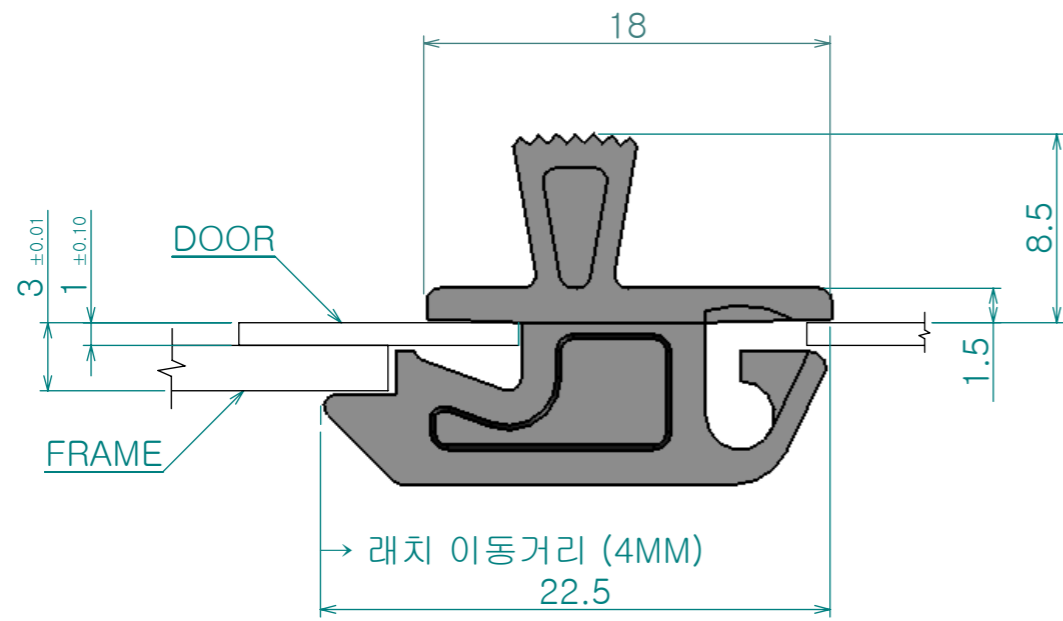
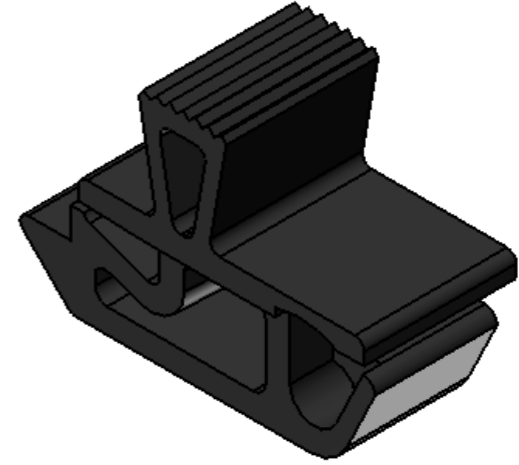
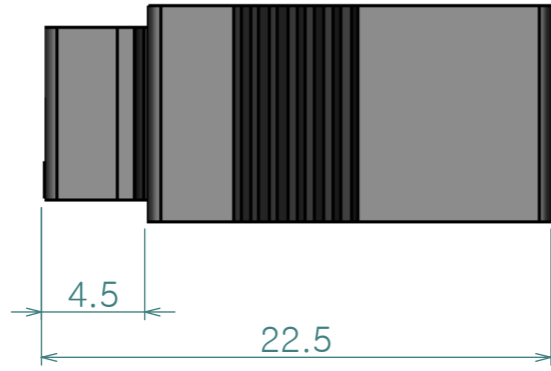


Dwg. No.

Re. No.	DESCRIPTION	DATE	DS.	CH.	AP.
△					
△					
△					



Note

1. 특징 :
2. 용도 :

Dimension (mm)	Precision	Material	Dwg. No.	QTY
0.5~3	±0.05	Finish	Part Name.	Weight
3~6				-
6~30	±0.1	Revision	Sheet Size	Scale
30~120	±0.15			-
120~315	±0.2	Date	Designed by	Model No.
		2011-08-04	Shin S H	
		Checked by	Approved by	Hardware
KS B 0412에 준함				