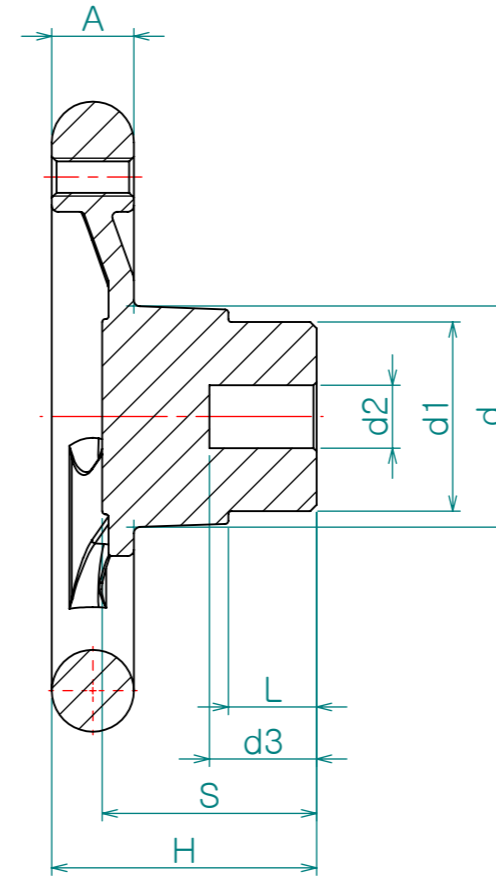
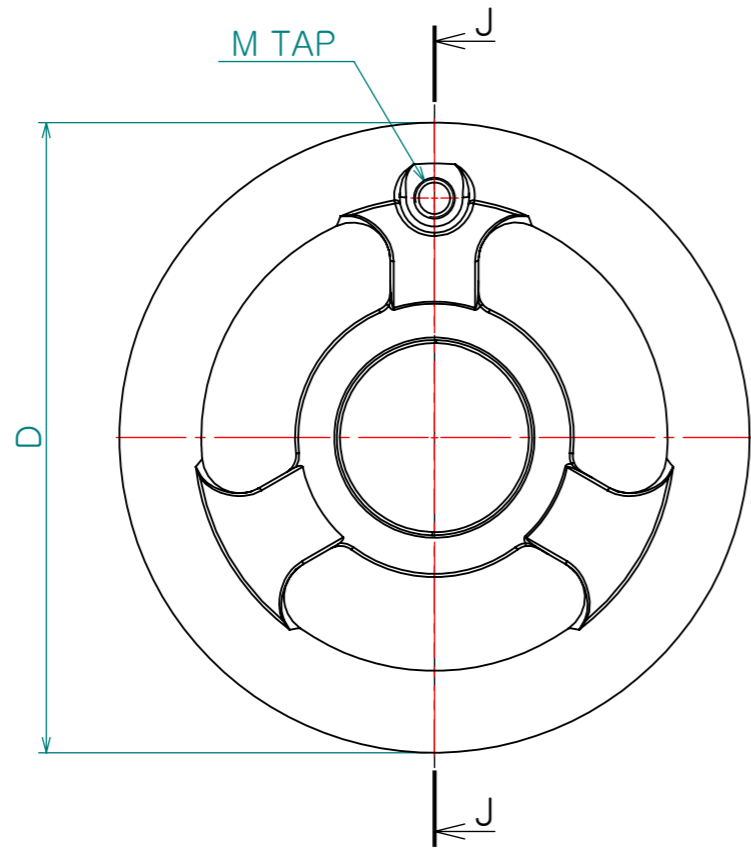
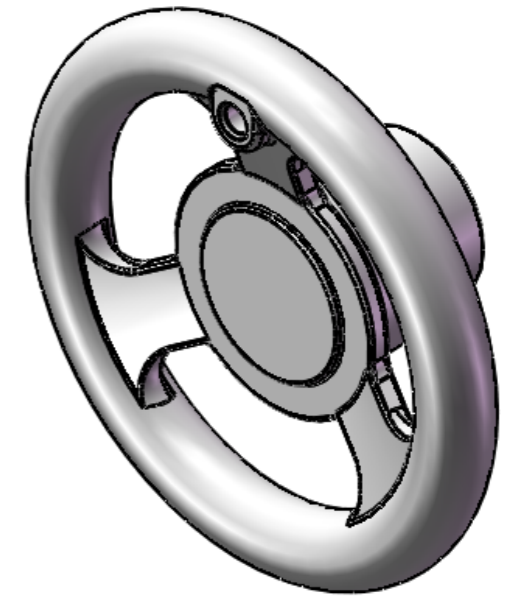


Re. No.	DESCRIPTION	DATE	DS.	CH.	AP.
△					
△					
△					



단면 J-J



제품명	M	D	H	A	S	L	d	d1	d2	d3
CA-1030-80	6	80	34	13	26	11	33	27	8	13
CA-1030-100	6	100	42	13	34	14	35	30	10	17
CA-1030-125	8	125	46	14	34	12	42	35	10	17
CA-1030-140	8	140	50	15	38	15	46	38	10	19
CA-1030-160	10	160	62	16	41	16	49	40	12	20.5
CA-1030-180	10	180	63	16	40	14	51	40	12	20
CA-1030-200	10	200	71	17	47	23	56	45	12	23.5
CA-1030-250	12	250	77	20	50	21	62	50	15	25
CA-1030-300	-	300	52	25	32	-	60	-	15	16

Note

- 특징 :
- 용도 :

Dimension (mm)	Precision	Material	Dwg. No.	QTY
0.5~3	±0.05	STS304	CA-1030	*EA
3~6		Finish		Weight
6~30	±0.1	전해연마	Part Name.	-
30~120	±0.15	Revision	Ass'y Name	Scale
120~315	±0.2		-	**
315~1000	±0.3	Date	Model No.	
1000~2000	±0.5	2013-06-01	**	
KS B 0412에 준함		Designed by		
		Shin S H		
		Checked by		
		Approved by		