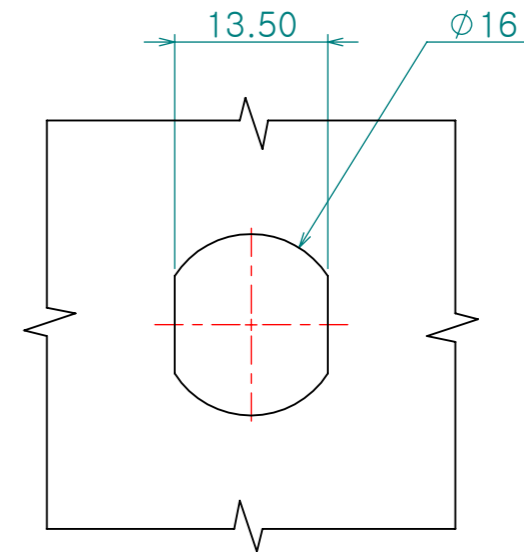
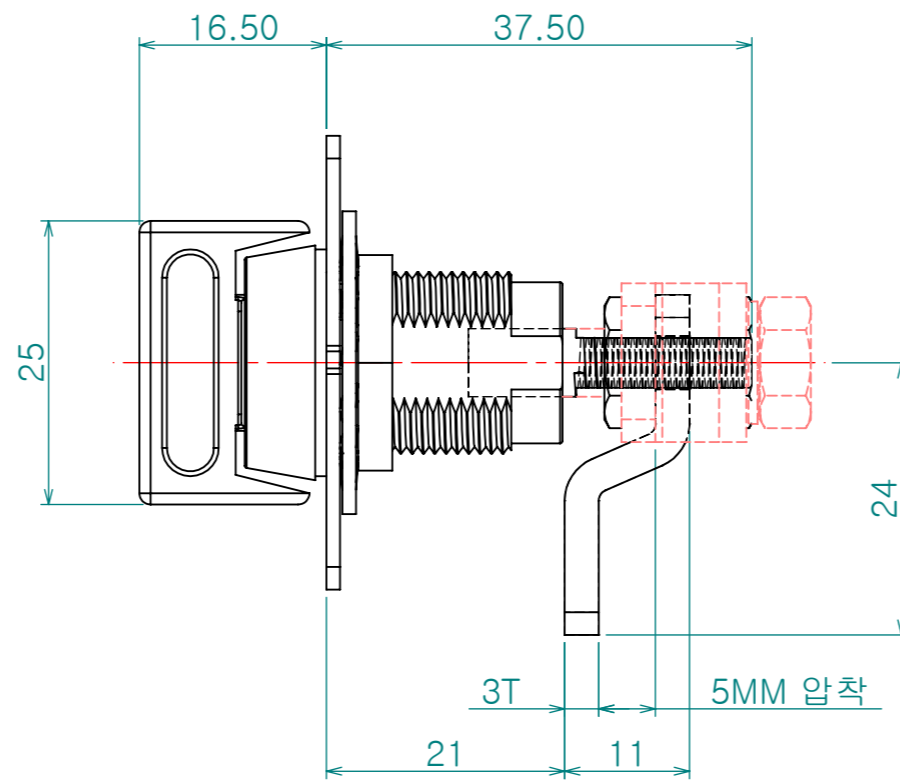
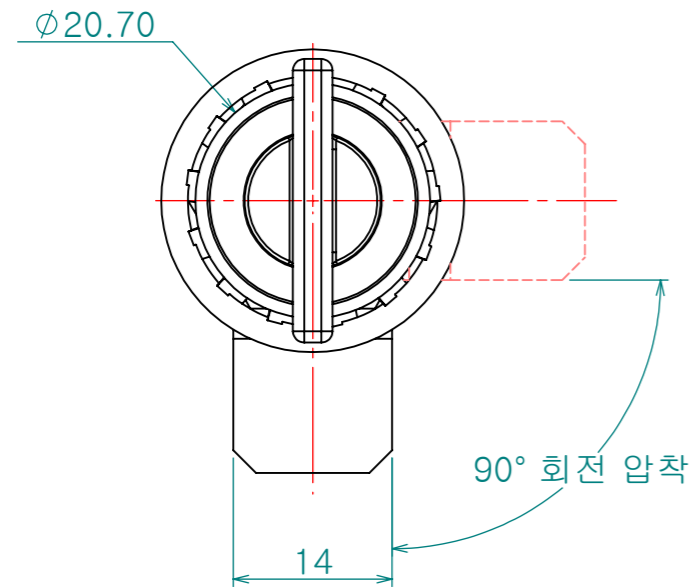
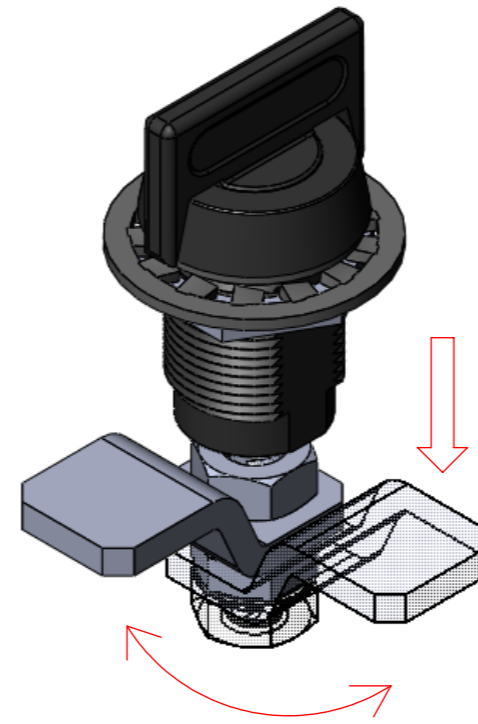


Re. No.	DESCRIPTION	DATE	DS.	CH.	AP.
△					
△					
△					



PANEL DRILLING DIMENSIONS

Note

- 1. 특징 :
- 2. 용도 :

Dimension (mm)	Precision	Material	Dwg. No.	QTY
0.5~3		아연합금		**
3~6	±0.05	Finish	Part Name.	Weight
6~30	±0.1	블랙도장	**	-
30~120	±0.15	Revision	Sheet Size	Scale
120~315	±0.2	-	A3	1.5:1
315~1000	±0.3	Date	Designed by	Model No.
1000~2000	±0.5	2012-04-07	Shin S H	CC-MS816-3A
KS B 0412에 준함		Checked by	Approved by	
			Hardware	