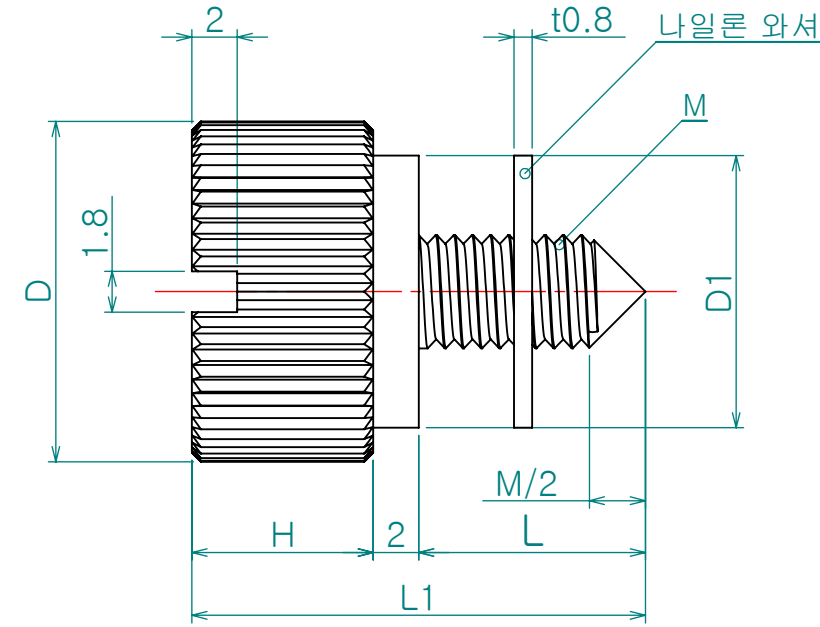
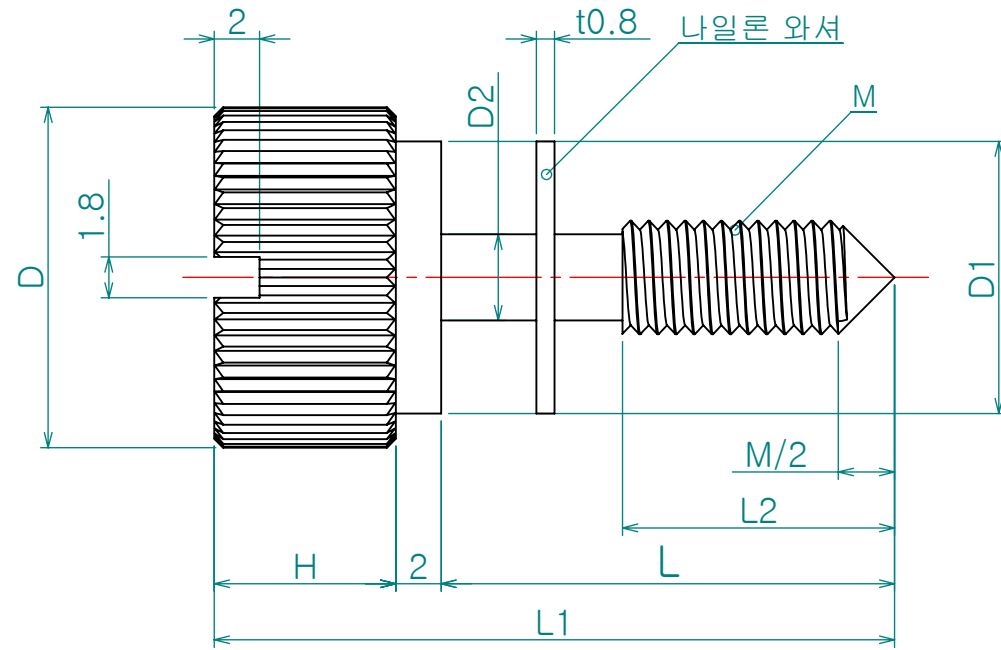
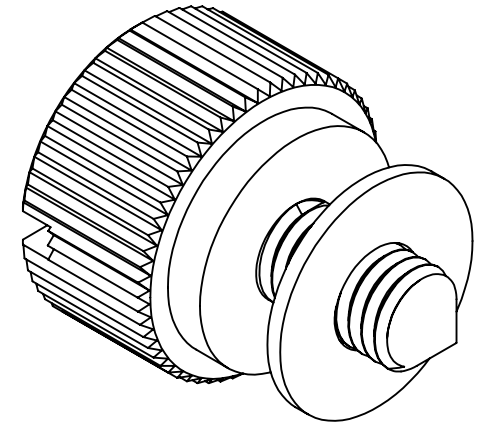
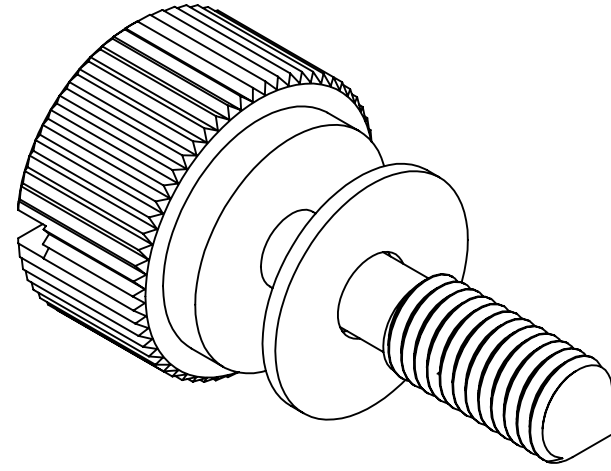


Re. No.	DESCRIPTION	DATE	DS.	CH.	AP.
△					
△					
△					



CE-3006-L

CE-3006-S

제품명	M	L	L1	L2	D	D1	D2	H
CE-3006-L4	4	20	30	12	15	10	3	8
		25	35					
		30	40					
CE-3006-L5	5	20	30	15	18	12	3.8	10
		25	35					
		30	40					
		40	50					
CE-3006-L6	6	30	42	15	24	14	6	10
		35	47					
		40	52					
CE-3006-L8	8	40	52	15	24	14	6	10
		50	62					

제품명	M	L	L1	D	D1	H
CE-3006-S4	4	10	20	15	10	8
		15	25			
CE-3006-S5	5	10	20	18	12	10
		15	25			
CE-3006-S6	6	10	22	18	12	10
		15	27			

Note

1. 특징 :

2. 용도 :

Dimension (mm)	Precision	Material	Dwg. No.	QTY
0.5~3		STS303		*EA
3~6	±0.05	Finish	Part Name.	Weight
6~30	±0.1	**	**	-
30~120	±0.15	Revision	Sheet Size	Scale
120~315	±0.2	-	A3	3:1
315~1000	±0.3	Date	Designed by	Model No.
1000~2000	±0.5	2012-04-03	Shin S H	CE-3006
KS B 0412에 준함		Checked by	Approved by	