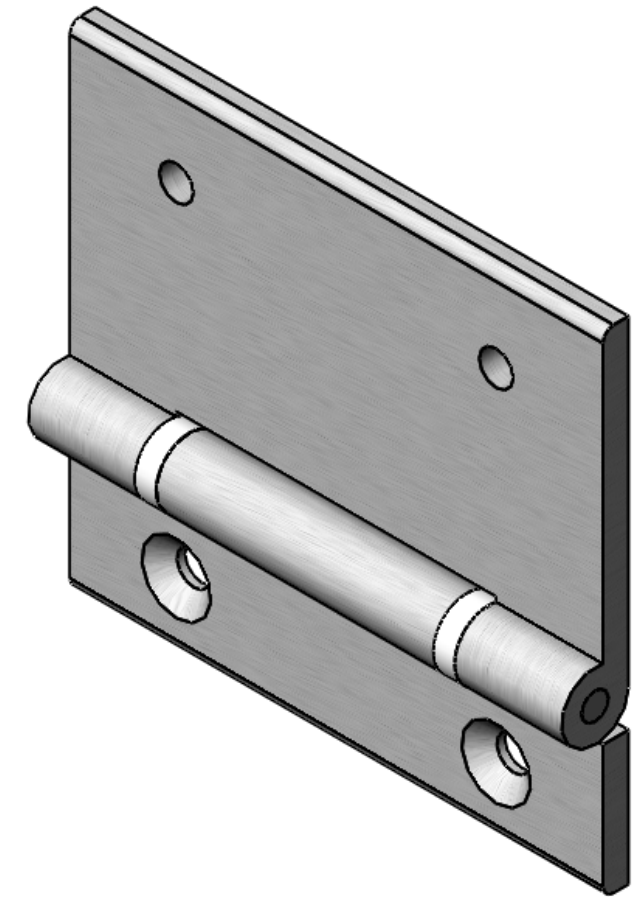
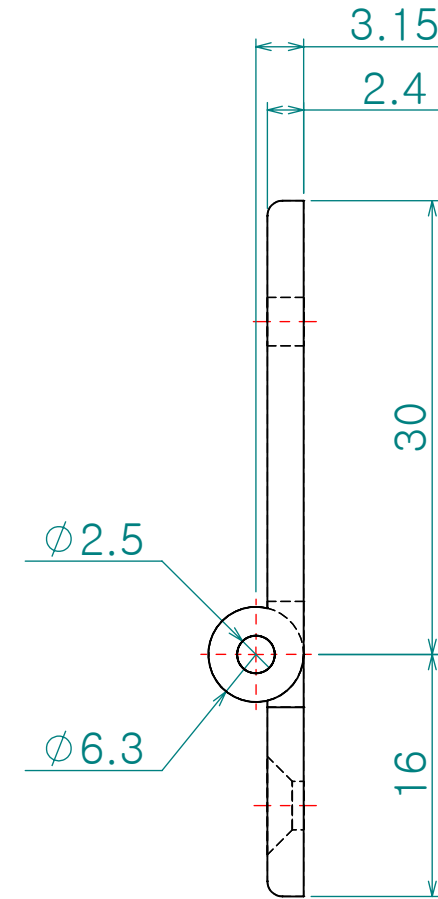
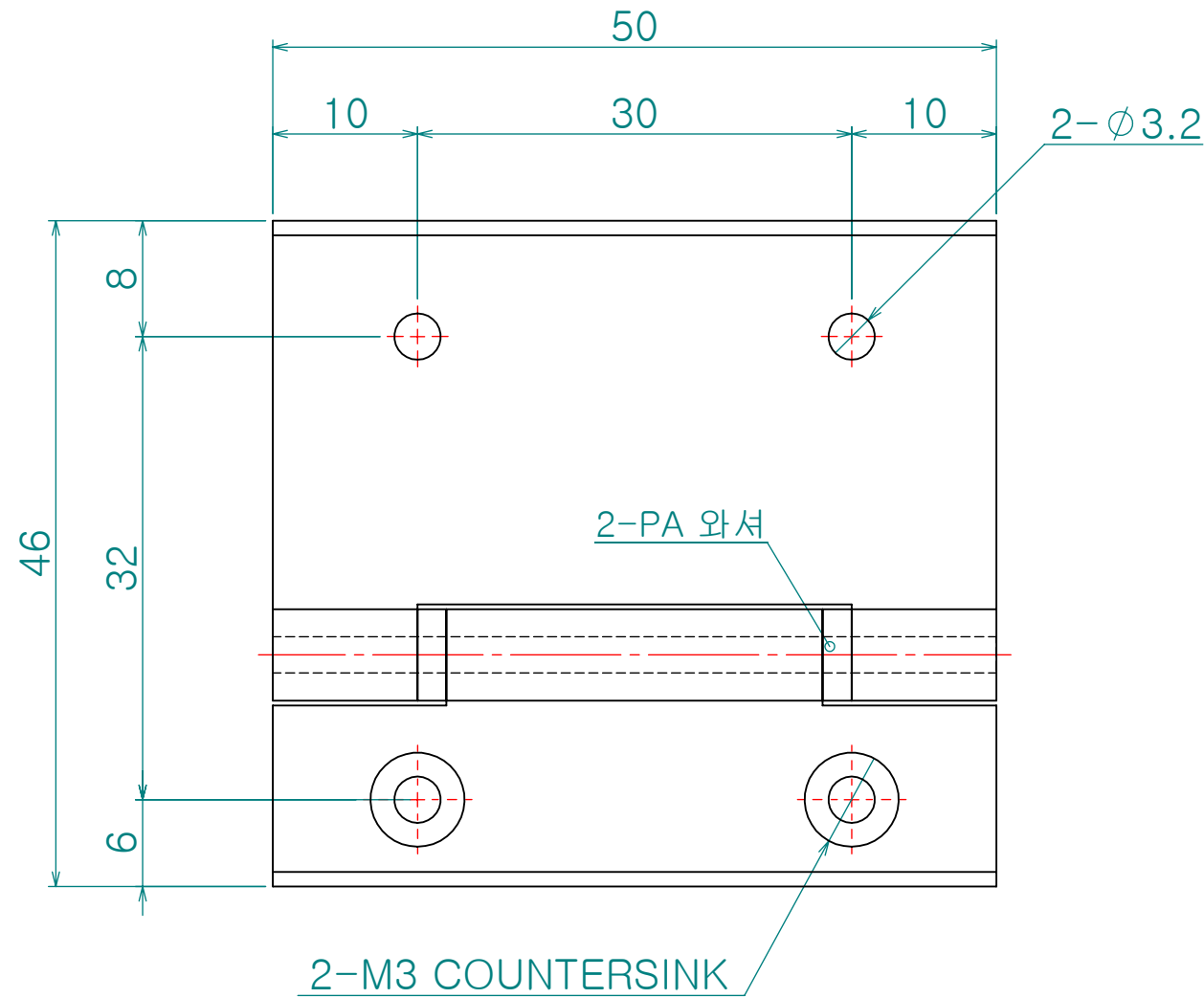


Re. No.	DESCRIPTION	DATE	DS.	CH.	AP.
△					
△					
△					



Note

- 1. 특징 :
- 2. 용도 :

Dimension (mm)	Precision	Material	Dwg. No.	QTY
0.5~3		AL		**
3~6	±0.05	Finish	Part Name.	Weight
6~30	±0.1	**	CH- 049	-
30~120	±0.15	Revision	Sheet Size	Scale
120~315	±0.2	-	A3	2:1
315~1000	±0.3	Date	Designed by	Model No.
1000~2000	±0.5	2012-06-13	Shin S H	**
KS B 0412에 준함		Checked by	Approved by	