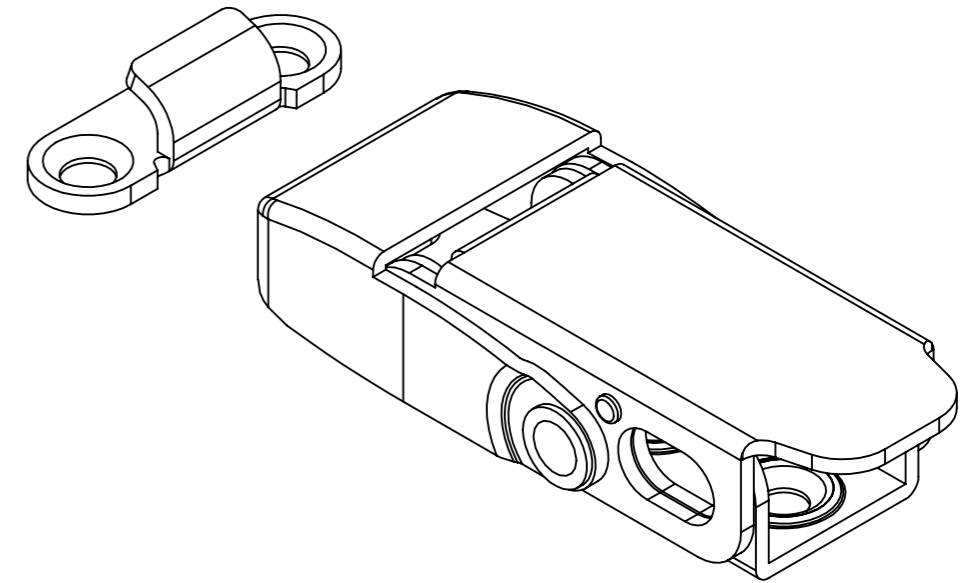
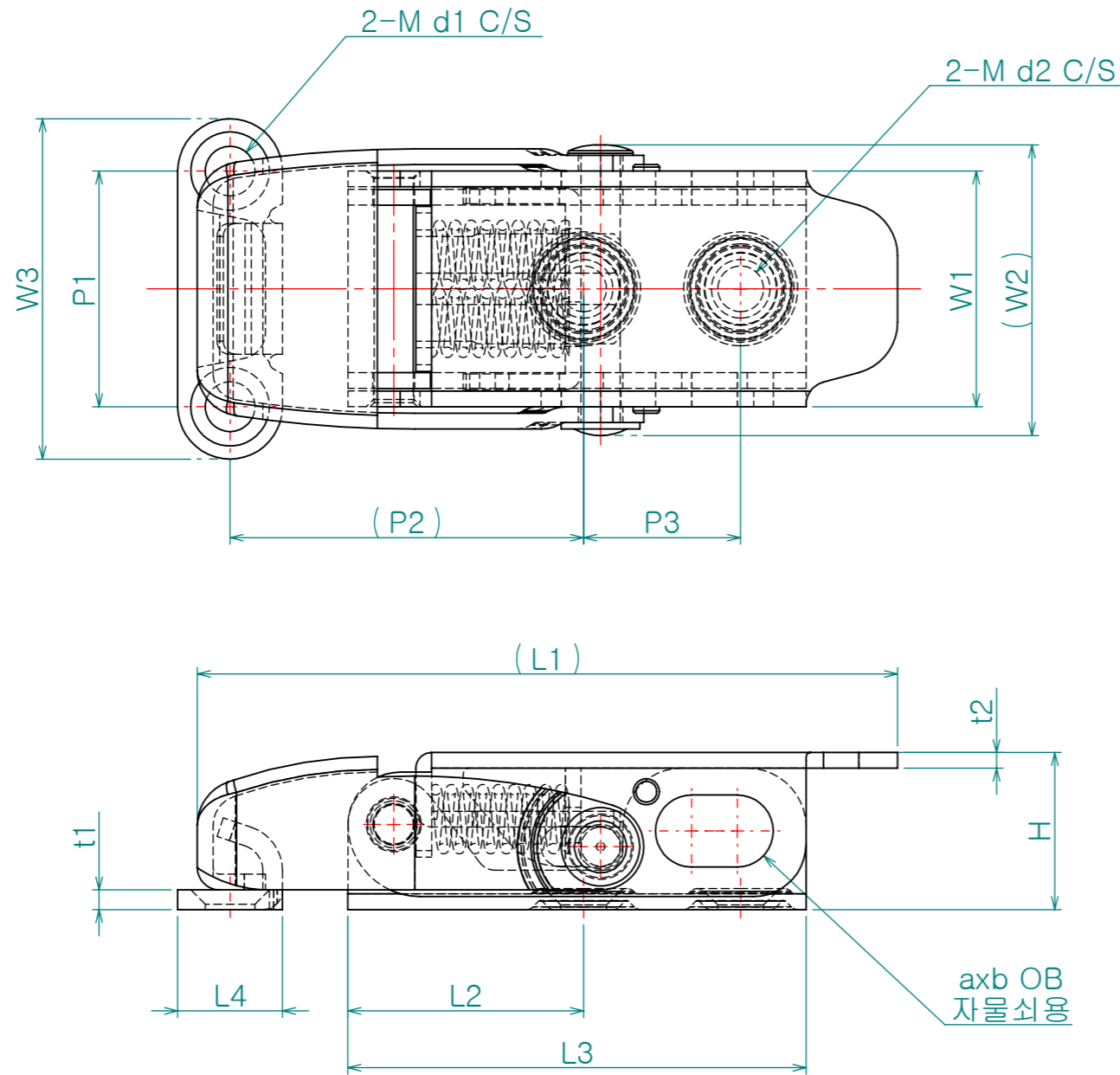
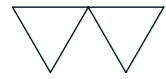


Re. No.	DESCRIPTION	DATE	DS.	CH.	AP.
△					
△					
△					



제품명	(L1)	L2	L3	L4	W1	(W2)	W3	H	t1	t2	P1	(P2)	P3	d1	d2	axb
CC-1053-1	53.5	18	35	8	18	22	26	12	1.5	1.2	18	27	12	3	3	5.5x9
CC-1053-2	65.2	16	40	10	22	27.5	32	14	2	1.2	22	28	14	5	4	5.6x9

Note

- 1. 특징 :
- 2. 용도 :

Dimension (mm)	Precision	Material	Dwg. No.	QTY
0.5~3	±0.05	STS 304	Part Name.	**
3~6		Finish		**
6~30	±0.1	바렐연마	Ass'y Name	-
30~120	±0.15	Revision	**	Scale
120~315	±0.2	-	Sheet Size	2:1
315~1000	±0.3	Date	A3	Model No.
	1000~2000	±0.5		
KS B 0412에 준함		Designed by	Hardware	
		Shin S H		
		Checked by	Approved by	