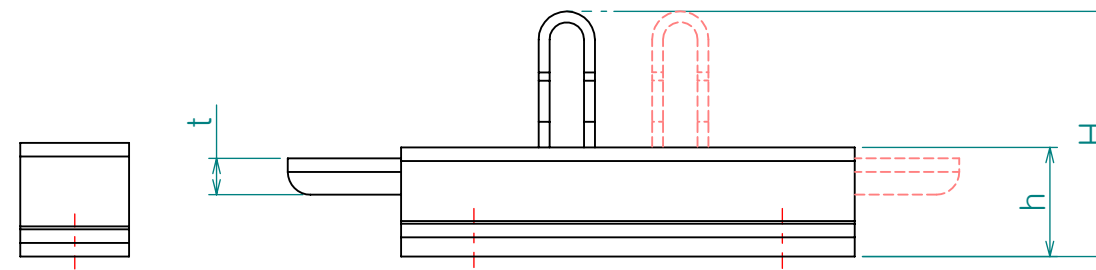
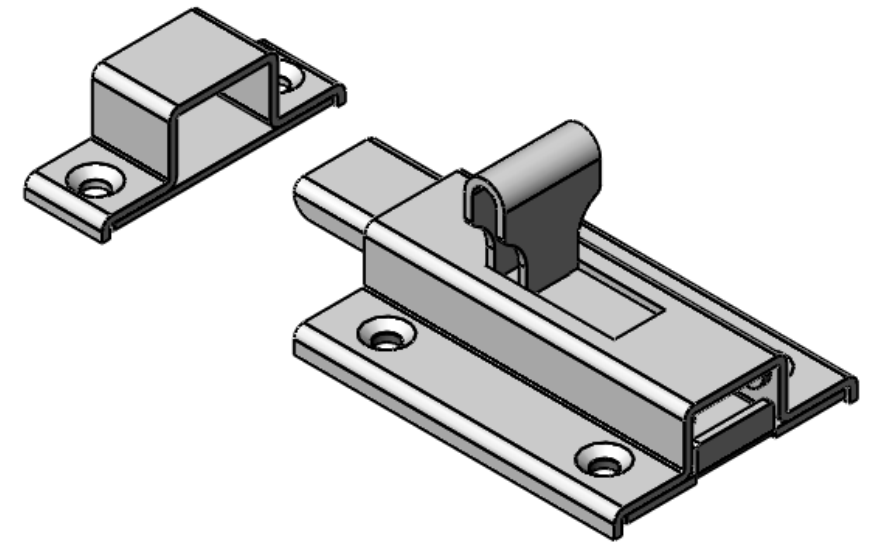
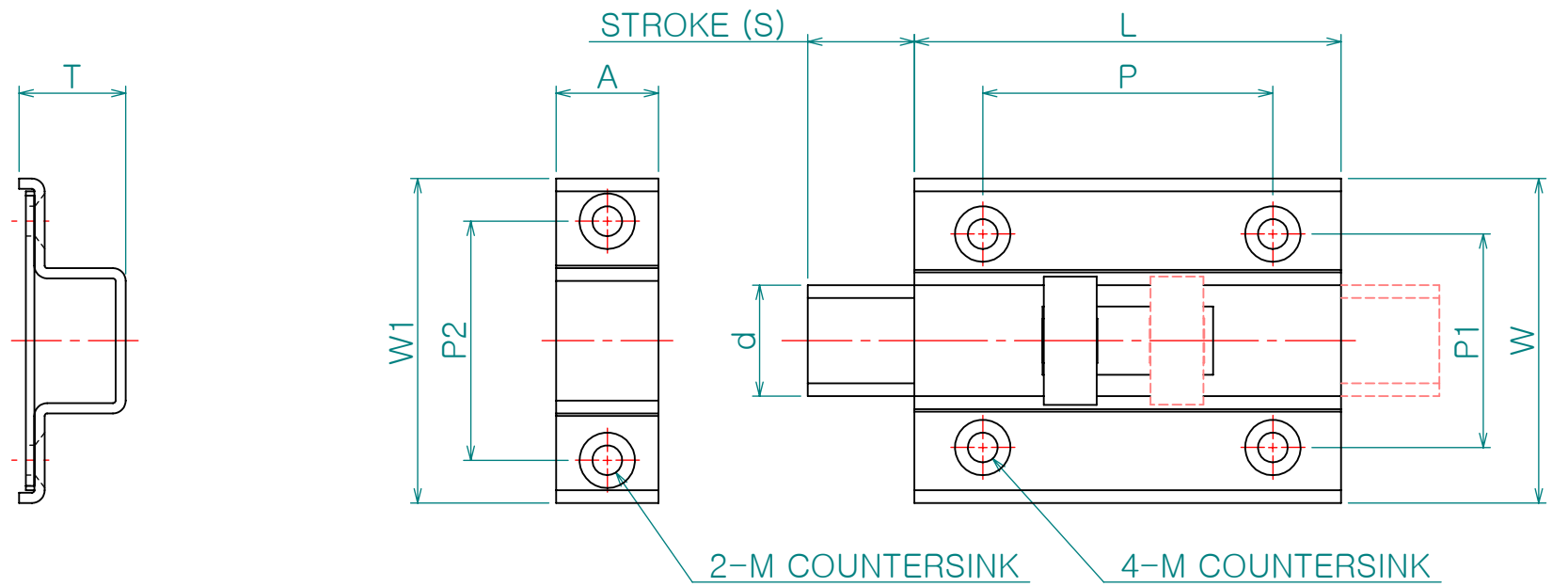
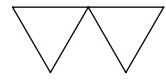


Re. No.	DESCRIPTION	DATE	DS.	CH.	AP.
△					
△					
△					



제품명	L	P	P1	P2	W	W1	d	(S)	A	T	t	H	h	M
CE-3015-1	50	34	25	28	38	38	13	12.5	12	12.5	4	27	12	3
CE-3015-2	65	47	31	32	45	45	15	15	15	13.5	5	28	12.5	5

Note

- 1. 특징 :
- 2. 용도 :

Dimension (mm)	Precision	Material	Dwg. No.	QTY
0.5~3		STS304		**
3~6	±0.05	Finish	Part Name.	Weight
6~30	±0.1	**	**	-
30~120	±0.15	Revision	Ass'y Name	Scale
120~315	±0.2	-	**	1.2:1
315~1000	±0.3	Date	Model No.	
1000~2000	±0.5	2013-04-02	CE-3015	
KS B 0412에 준함		Designed by		
		Shin S H		
		Checked by		
		Approved by		