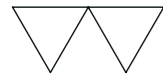
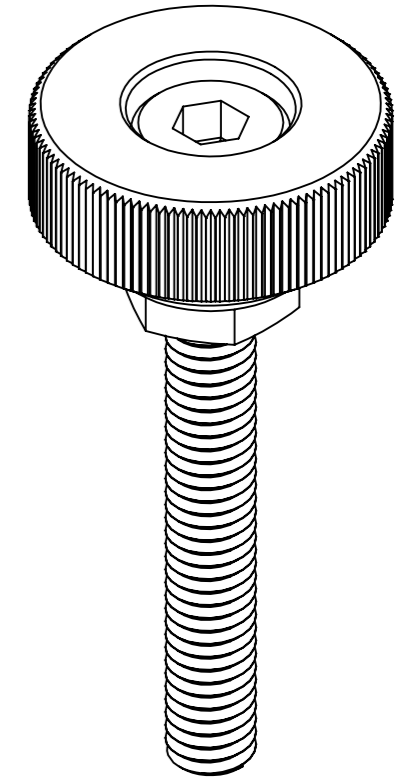
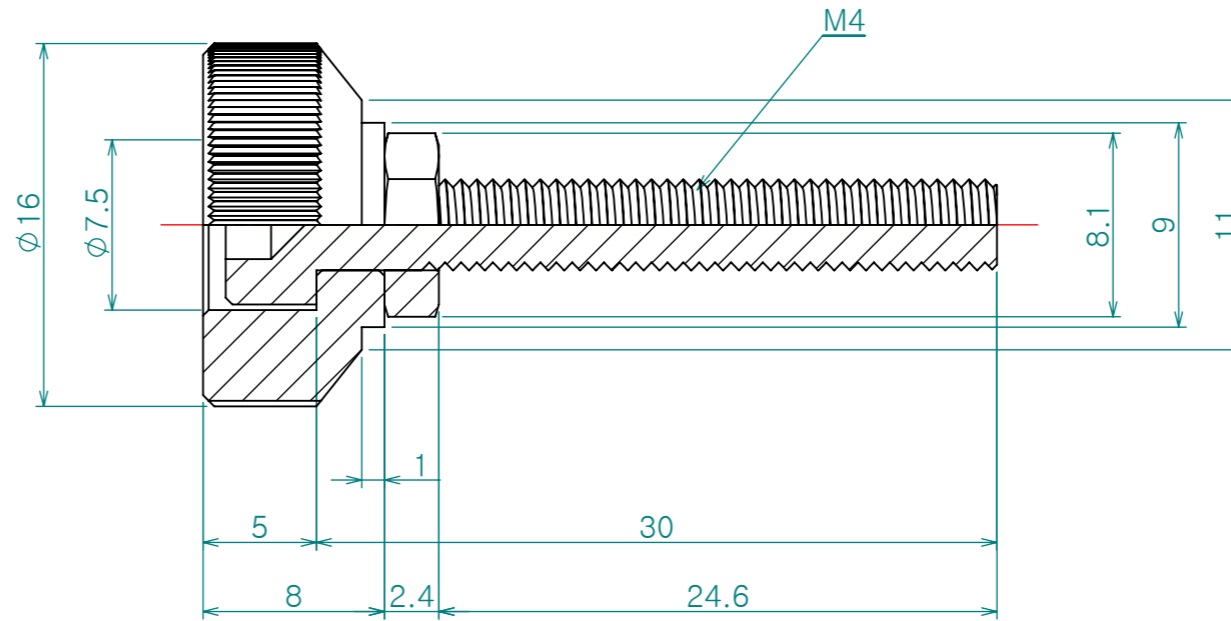
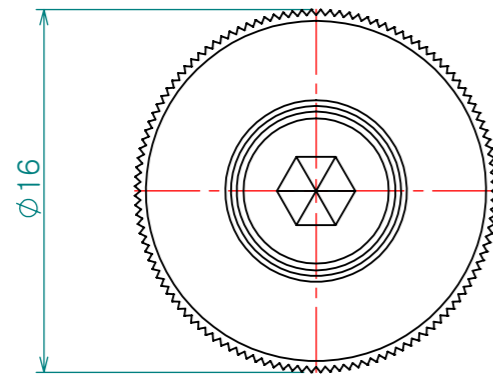


Dwg. No.



Re. No.	DESCRIPTION	DATE	DS.	CH.	AP.
△					
△					
△					



제품명	TYPE	재 질	표면처리
CE-3011-SJ4-30	볼트, 너트볼이	SUS303	헤어라인

Note

- 1. 특징 :
- 2. 용도 :

Dimension (mm)	Precision	Material	Dwg. No.	QTY
0.5~3	±0.05	SUS303	CE-3011	*EA
3~6				Weight
6~30	±0.1	Finish	Part Name.	-
30~120	±0.15	**	CE-3011	Scale
120~315	±0.2	Revision	**	3:1
315~1000	±0.3	Date	Model No.	
1000~2000	±0.5	2012-10-08	CE-3011	
KS B 0412에 준함		Designed by		
		Shin S H		
		Checked by		
		Approved by		