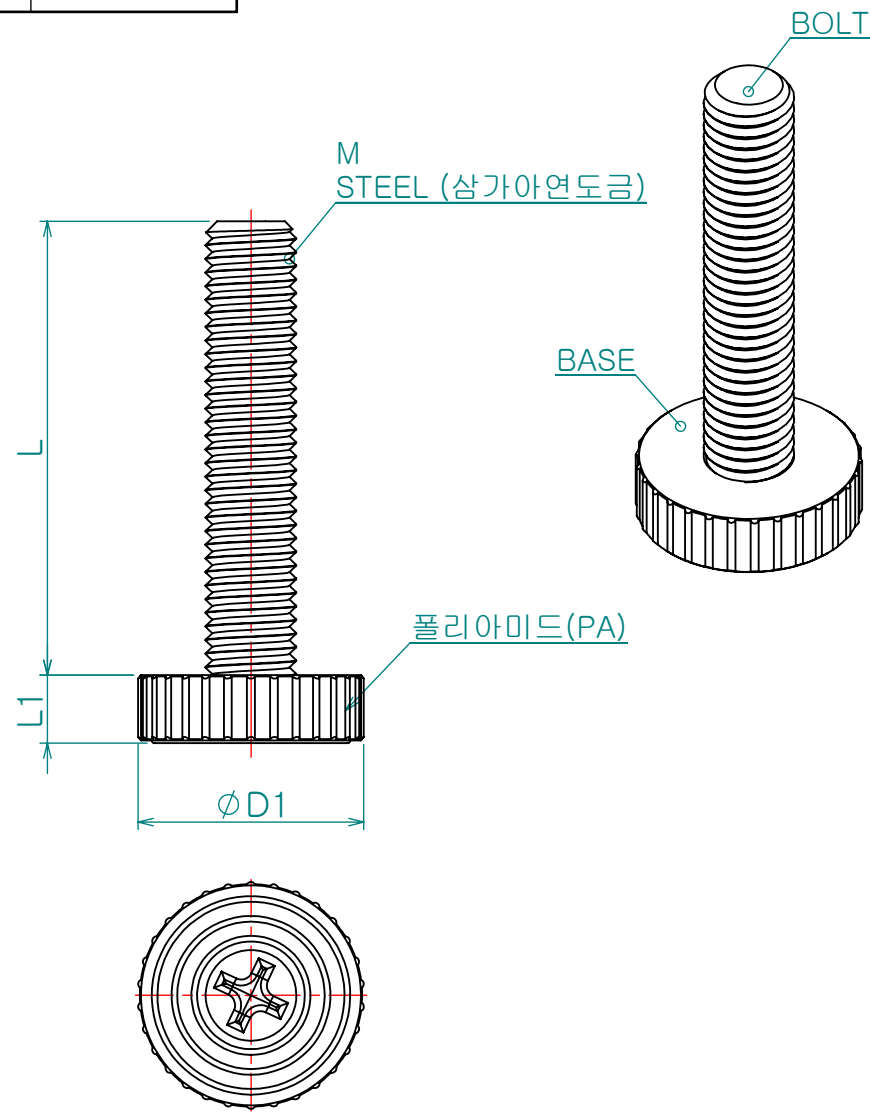
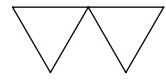
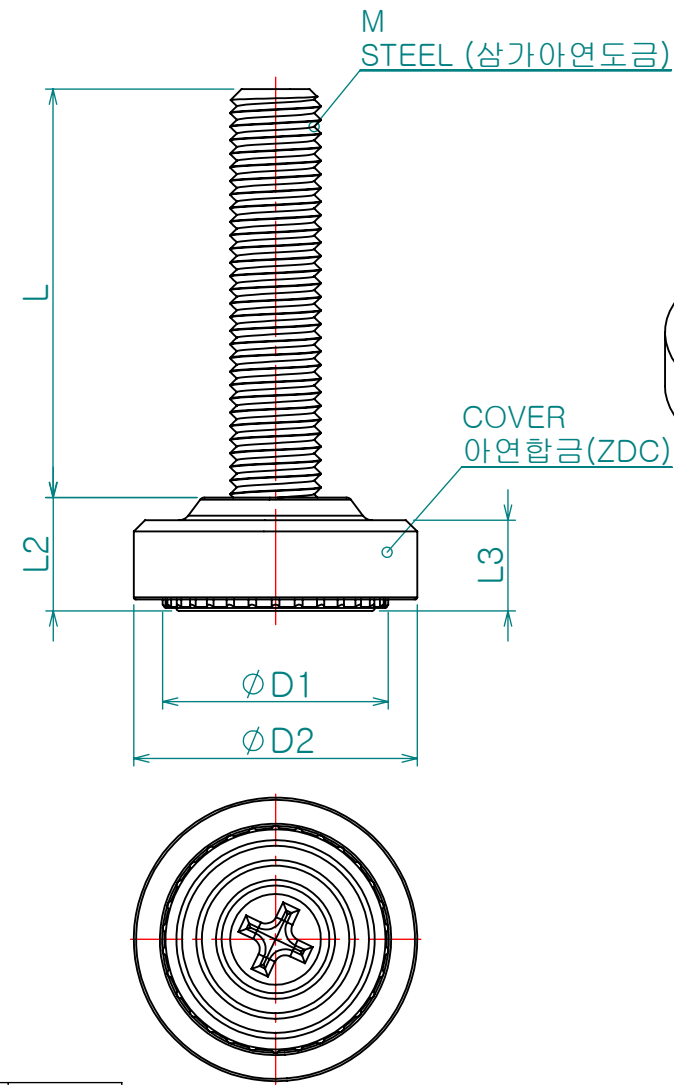


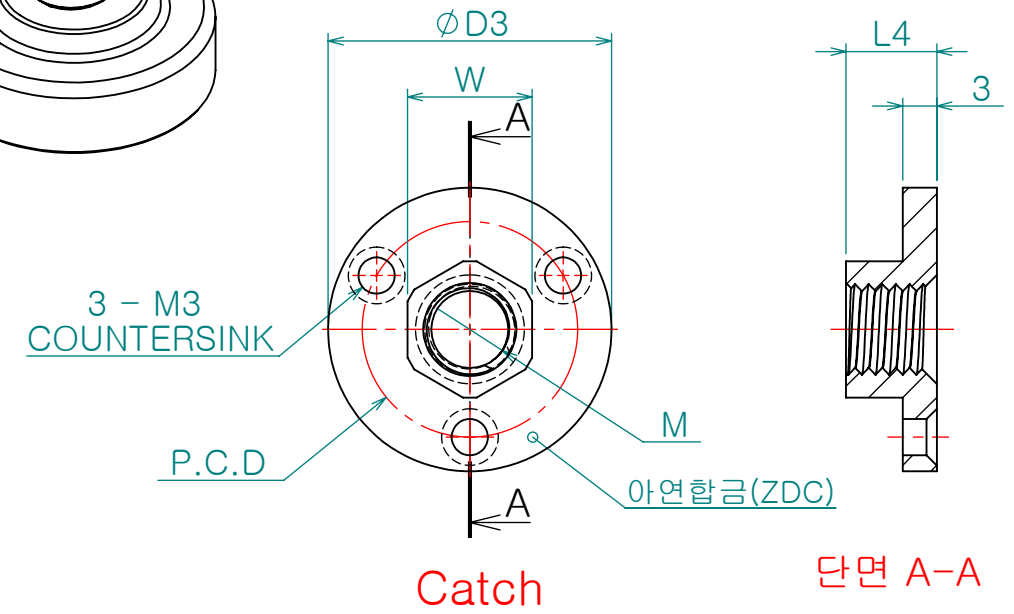
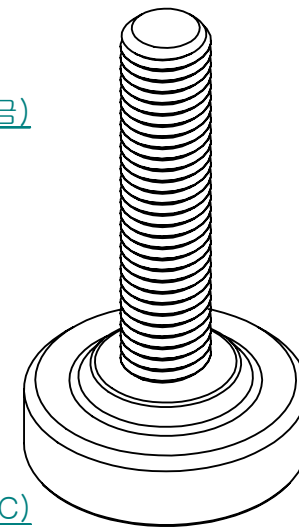
Re. No.	DESCRIPTION	DATE	DS.	CH.	AP.
△					
△					
△					



기본 TYPE



COVER TYPE



Catch

단면 A-A

제품명	L	L1	D1	M
CE-2008-M8-6	25, 30, 35, 40	6	20	M8
CE-2008-M8-8		8		
CE-2008-M10-6	40, 45, 55	6	35	M10
CE-2008-M10-8		8		
CE-2008-M12-8	45, 55, 65, 75	8	45	M12
CE-2008-M12-10		10		

※ 기본 TYPE

제품명	L	L2	L3	D1	D2	M
CE-2008-M8C-6	21, 26, 31, 36	10	8	20	25	M8
CE-2008-M8C-8		12	10			
CE-2008-M10C-6	35, 40, 50	11	8	35	40	M10
CE-2008-M10C-8		13	10			
CE-2008-M12C-8	39, 49, 59, 69	14	10	45	50	M12
CE-2008-M12C-10		16	12			

※ COVER TYPE

제품명	L4	D3	W	M
CE-2008-M8-N	8	25	11	M8
CE-2008-M10-N	9	28	13	M10
CE-2008-M12-N	11	40	16	M12

※ Catch

	재질	표면처리
BOLT	STEEL	삼가아연도금
BASE	폴리아미드(PA)	흑색
COVER	아연합금(ZDC)	크롬 베로아도금
Catch		

Dimension (mm)	Precision	Material **	Dwg. No.	QTY **
0.5~3	±0.05	Finish **	Part Name. **	Weight -
3~6				
6~30	±0.1	Revision -	Sheet Size A3	Ass'y Name **
30~120	±0.15			
120~315	±0.2	Date 2015-06-09	Designed by <i>Shin S H</i>	Model No. CE-2008
315~1000	±0.3	Checked by	Approved by	
1000~2000	±0.5	KS B 0412에 준함		