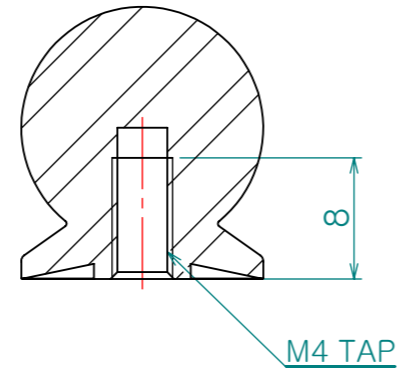
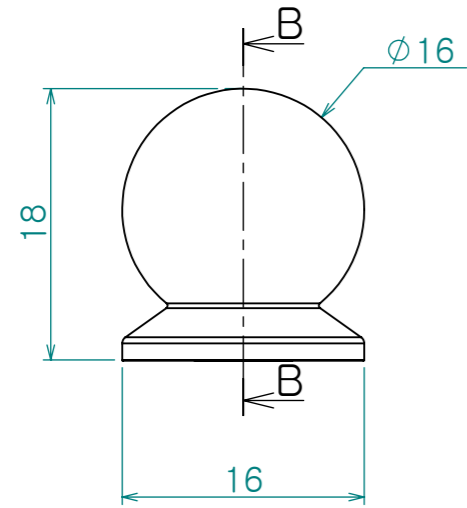
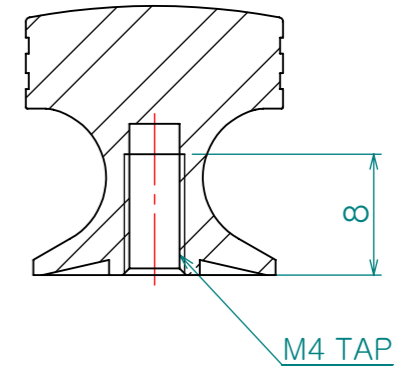
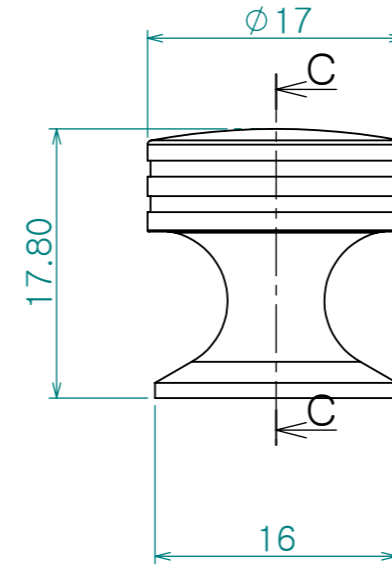


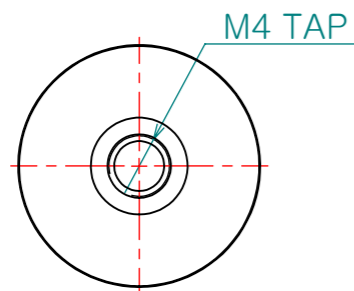
Re. No.	DESCRIPTION	DATE	DS.	CH.	AP.
△					
△					
△					



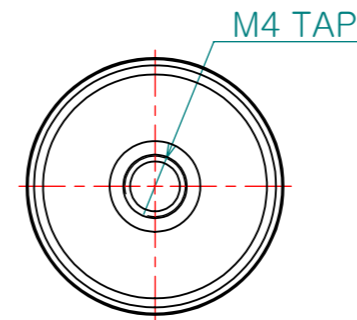
단면 B-B



단면 C-C



CA-B016-1



CA-B016-2

Note

- 특징 :
- 용도 :

Dimension (mm)	Precision	Material	Dwg. No.	QTY
0.5~3	±0.05	항동	Part Name. K001	*EA
3~6		Finish		Weight
6~30	±0.1	크롬도금	Ass'y Name	-
30~120	±0.15	Revision	케스팅 꼭지	Scale
120~315	±0.2	-	Model No.	2:1
315~1000	±0.3	Date	CA-B016-1	
1000~2000	±0.5	2010-02-10		
KS B 0412에 준함		Designed by Shin S H		
		Checked by		
		Approved by		