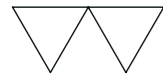
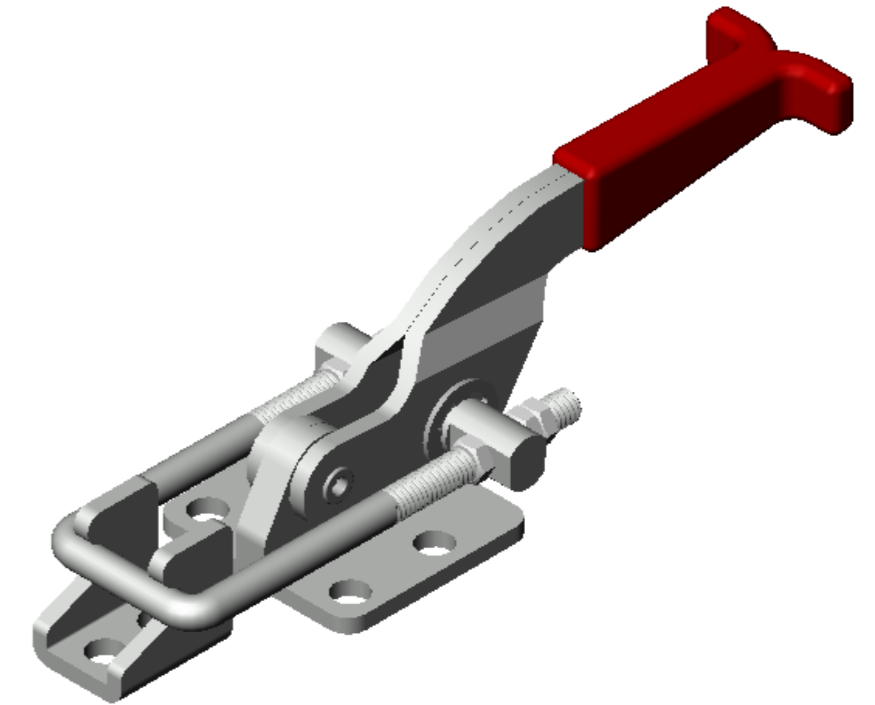
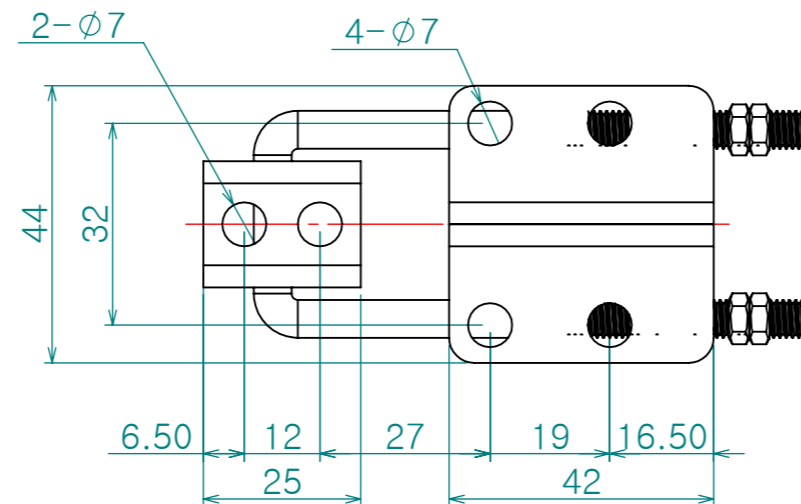
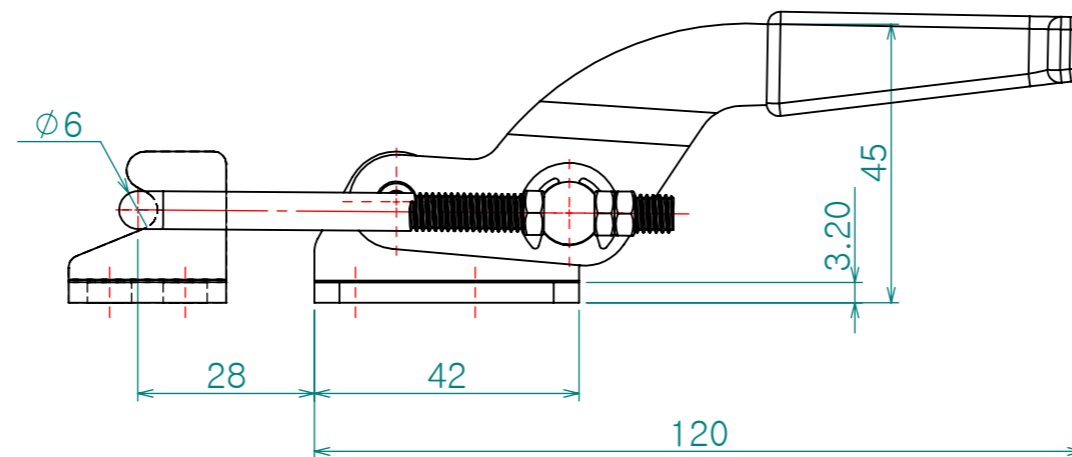
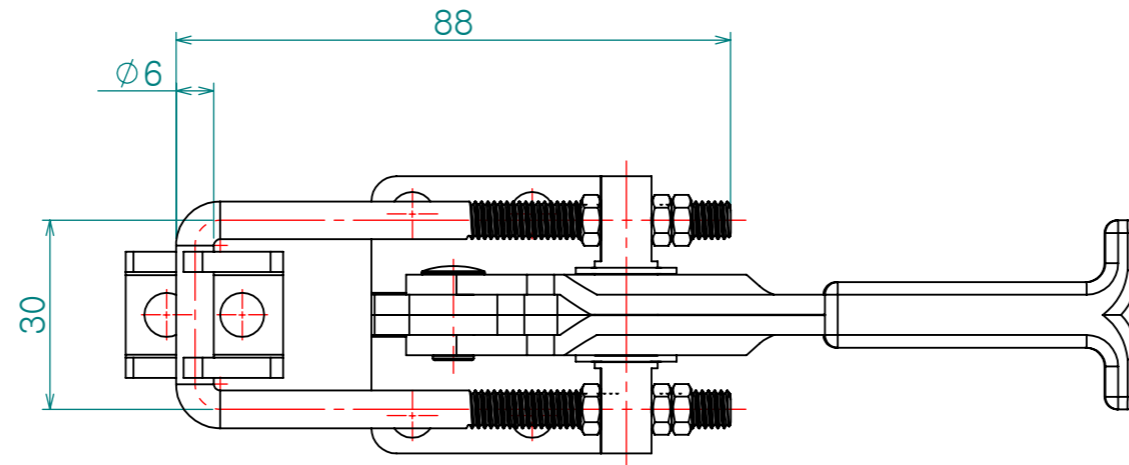
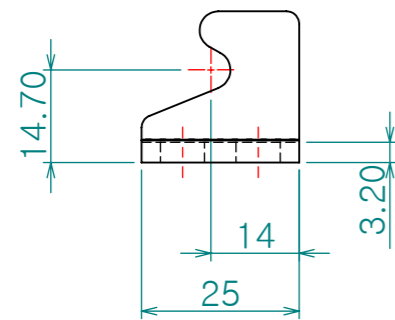
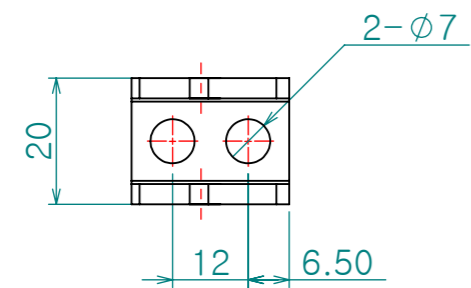


Dwg. No.



Re. No.	DESCRIPTION	DATE	DS.	CH.	AP.
△					
△					
△					



Note

- 1. 특징 :
- 2. 용도 :

품 번	재 질	표면처리
CR-1001-02	STAINLESS	바렐연마
CR-2001-02	STEEL	아연도금

Dimension (mm)	Precision	Material	Dwg. No.	QTY
0.5~3		STAINLESS	CR001-00	**
3~6	±0.05			Weight
6~30	±0.1	Finish	Part Name.	-
30~120	±0.15	**	CR001-00	
120~315	±0.2	Revision	Ass'y Name	Scale
		-	S/T 청색 중	1:1.2
		Date	Model No.	
315~1000	±0.3	2010-02-10	CR-1001-02	
1000~2000	±0.5	Designed by		
		Shin S H		
		Checked by		
		Approved by		
KS B 0412에 준함				