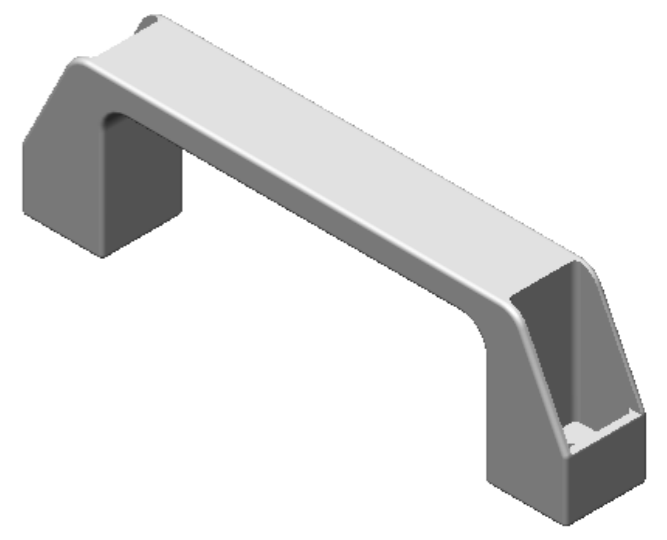
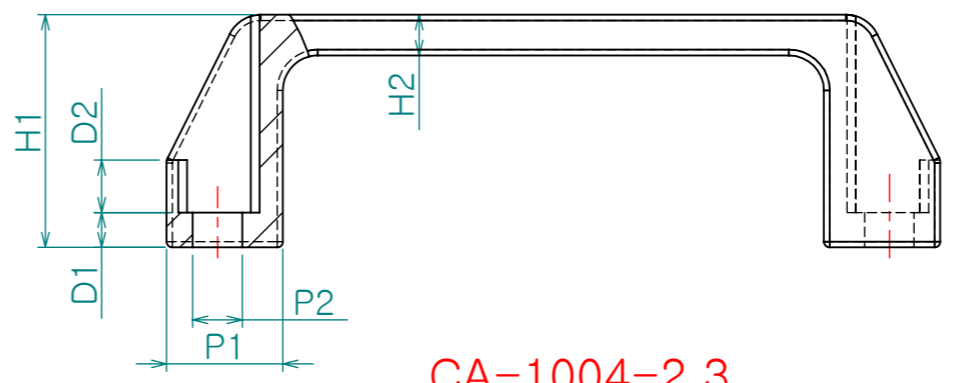
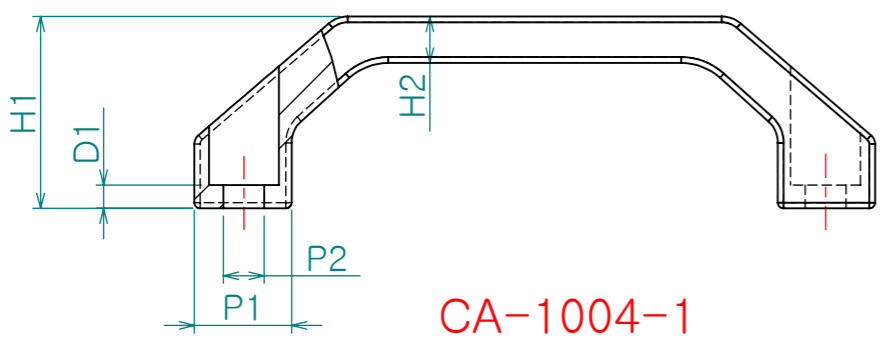
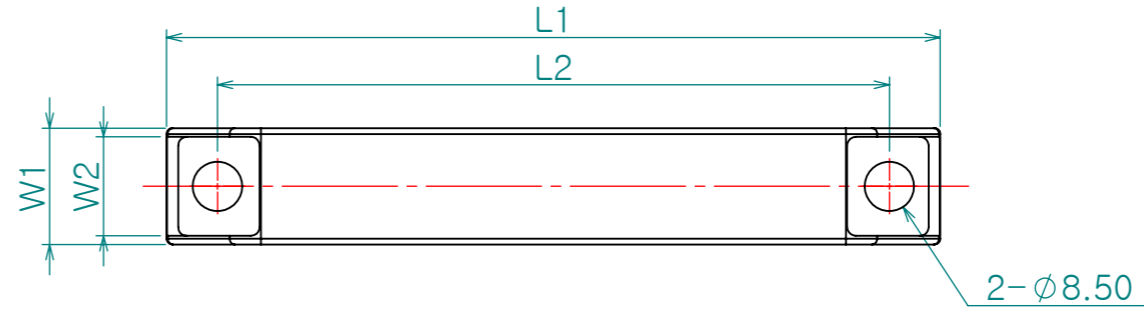
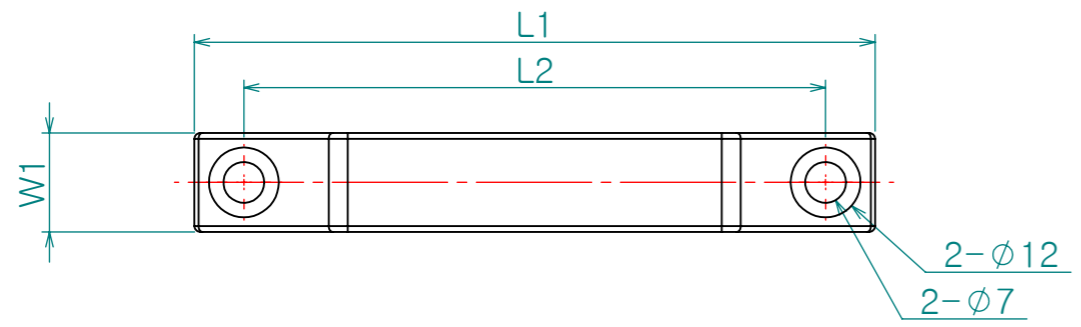
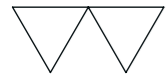


Re. No.	DESCRIPTION	DATE	DS.	CH.	AP.
△					
△					
△					



CA-1004-1

CA-1004-2,3

제품명	L1	L2	W1	W2	H1	H2	D1	D2	P1	P2
CA-1004-1	116.3	100	17	-	33	8	4	-	16.7	7
CA-1004-2	133	115.5	20	17	40	7	6	9	20	8.5
CA-1004-3	150	130	22	17	40	7	9	10	20	8.5

Note

- 1. 특징 :
- 2. 용도 :

Dimension (mm)	Precision	Material	Dwg. No.	QTY
0.5~3	±0.05	STS주조	Part Name. 사각주조핸들	*EA
3~6		Finish		Weight
6~30	±0.1	광택연마	Ass'y Name	-
30~120	±0.15	Revision	**	Scale
120~315	±0.2	-		1:1.3
315~1000	±0.3	Date	Model No.	
1000~2000	±0.5	2010-02-09	CA-1004	
KS B 0412에 준함		Designed by Shin S H		
		Checked by		
		Approved by		