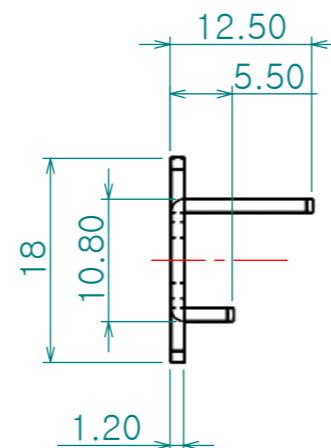
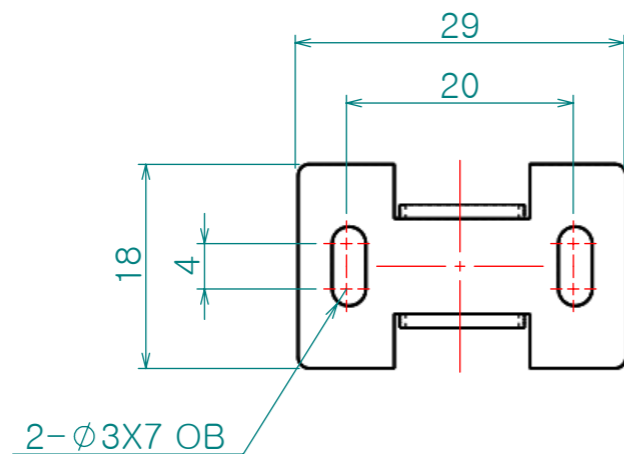
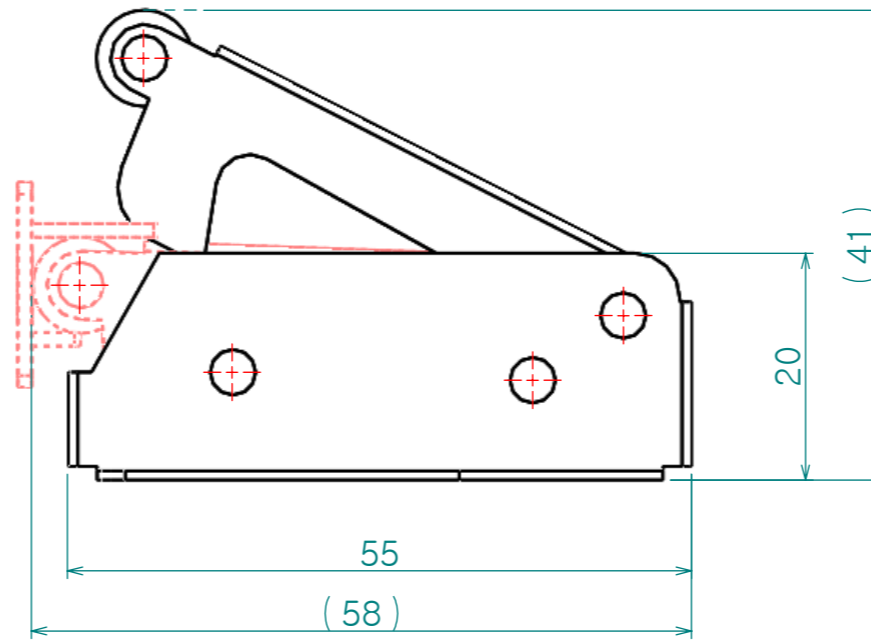
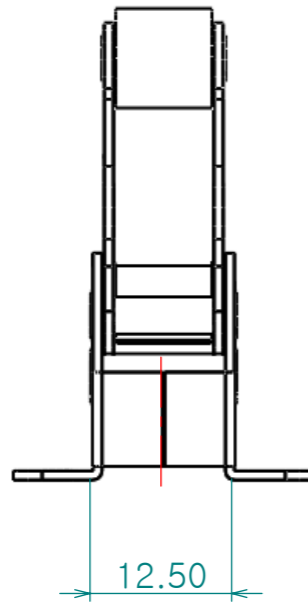
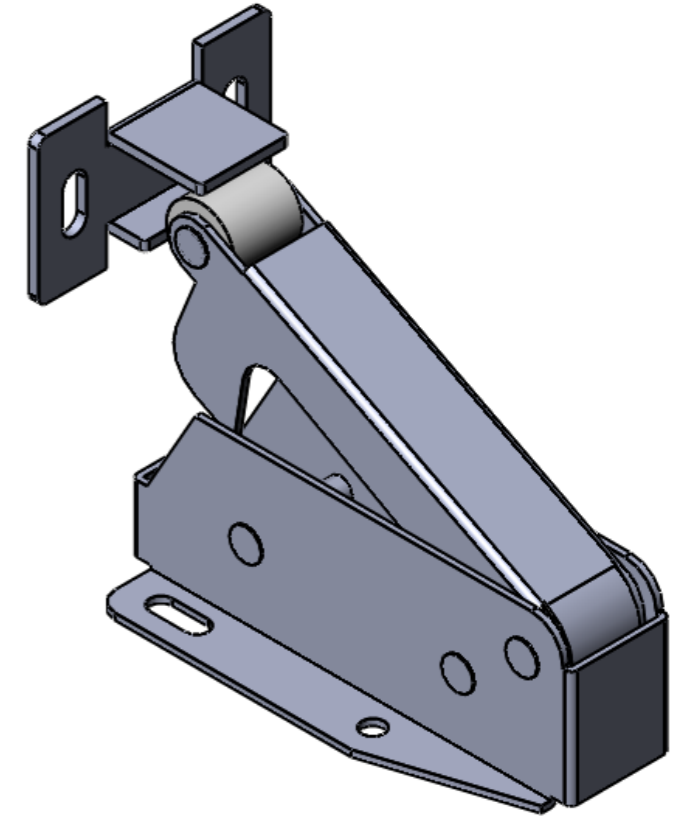
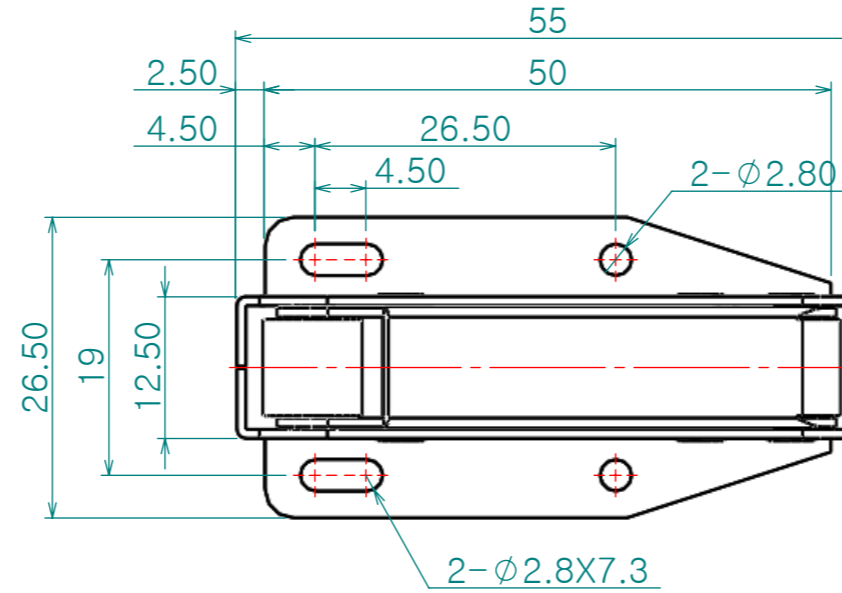


Re. No.	DESCRIPTION	DATE	DS.	CH.	AP.
△					
△					
△					



BLACKET

Note

- 1. 특징 :
- 2. 용도 :

Dimension (mm)	Precision	Material	Dwg. No.	QTY
0.5~3		STEEL		**
3~6	±0.05	Finish	Part Name.	Weight
6~30	±0.1	아연도금	**	-
30~120	±0.15	Revision	Sheet Size	Scale
120~315	±0.2	-	A3	1.5:1
315~1000	±0.3	Date	Designed by	Model No.
1000~2000	±0.5	2010-07-30	Shin S H	CC-1026
KS B 0412에 준함		Checked by	Approved by	