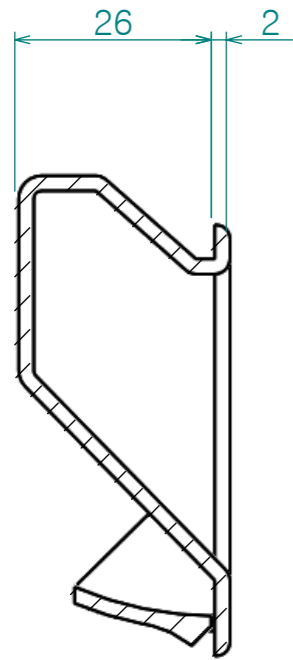
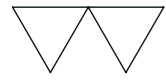
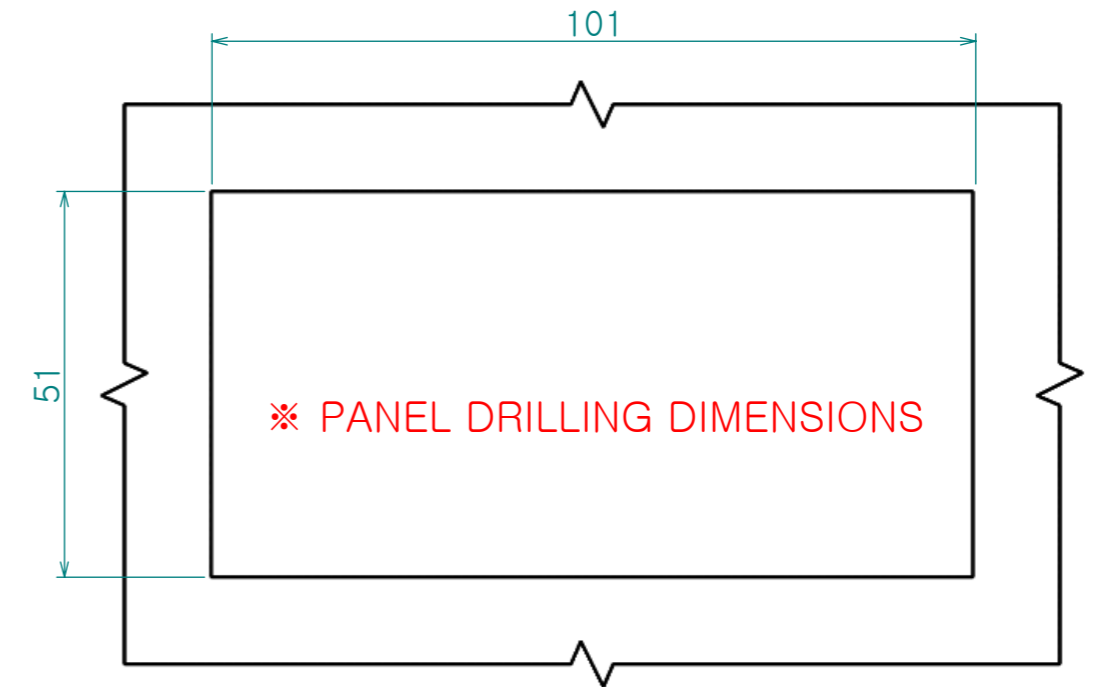
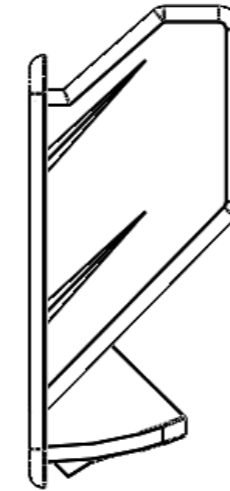
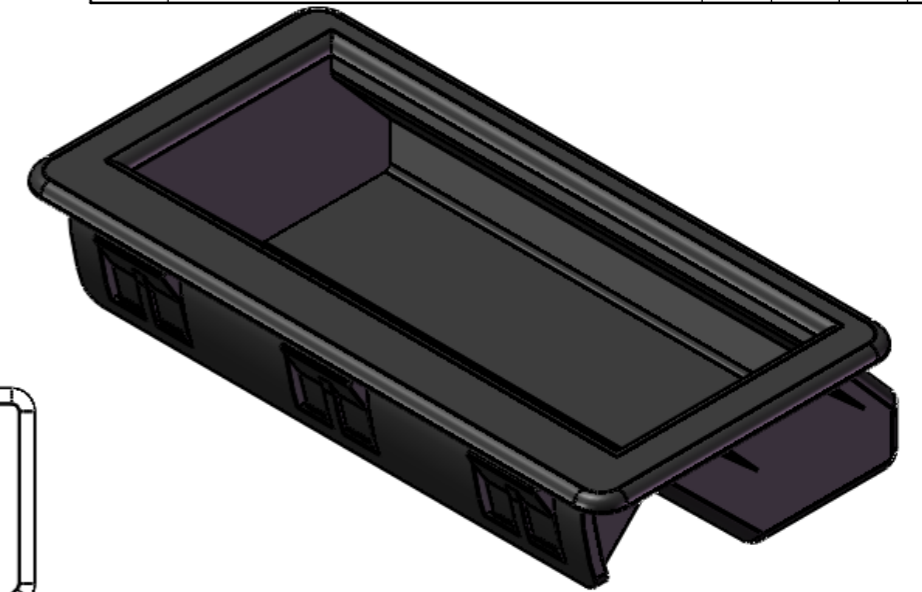
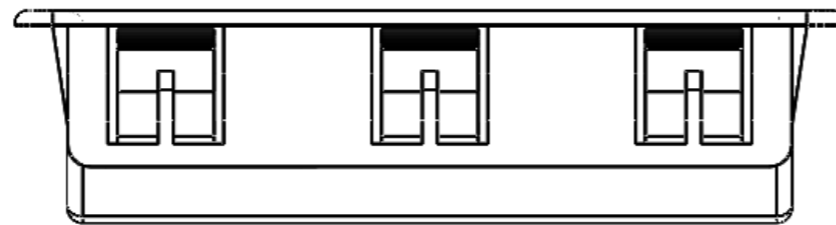
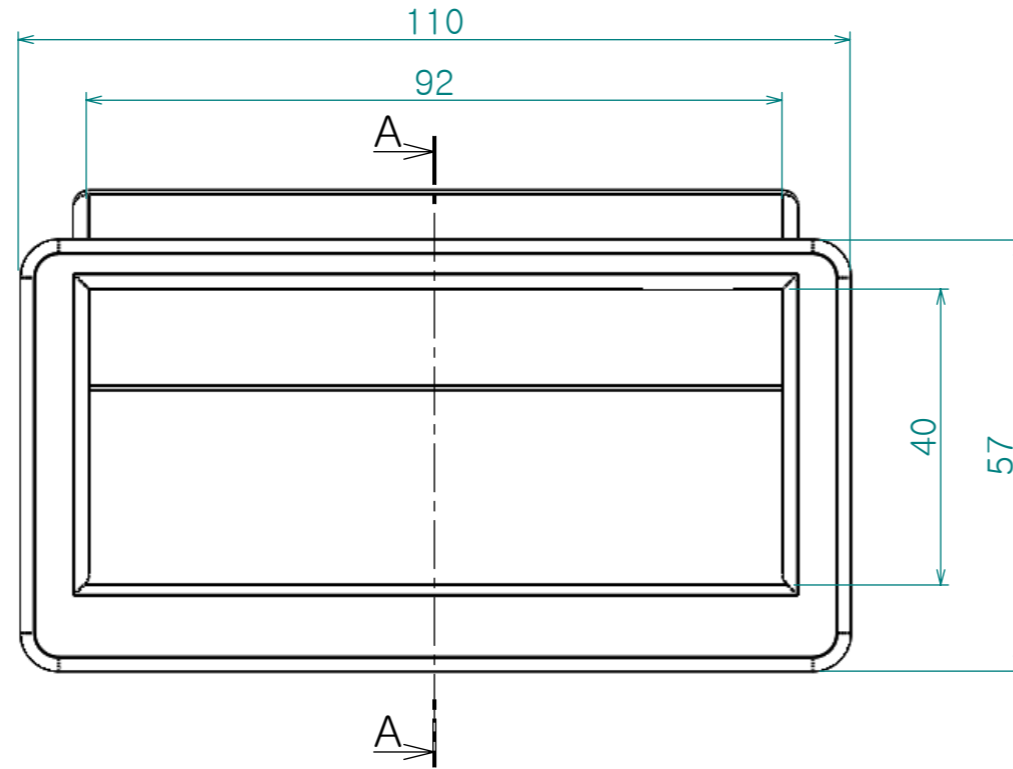


Re. No.	DESCRIPTION	DATE	DS.	CH.	AP.
△					
△					
△					



단면 A-A



Note

- 1. 특징 :
- 2. 용도 :

Dimension (mm)	Precision	Material 나일론	Dwg. No.	QTY *EA
0.5~3	±0.05	Finish BLACK	Part Name. **	Weight -
3~6				
6~30	±0.1	Revision -	Sheet Size A3	Ass'y Name **
30~120	±0.15			
120~315	±0.2	Date 2010-07-28	Designed by Shin S H	Model No. CA-1016
315~1000	±0.3	Checked by	Approved by	Scale 1:1
1000~2000	±0.5	KS B 0412에 준함		