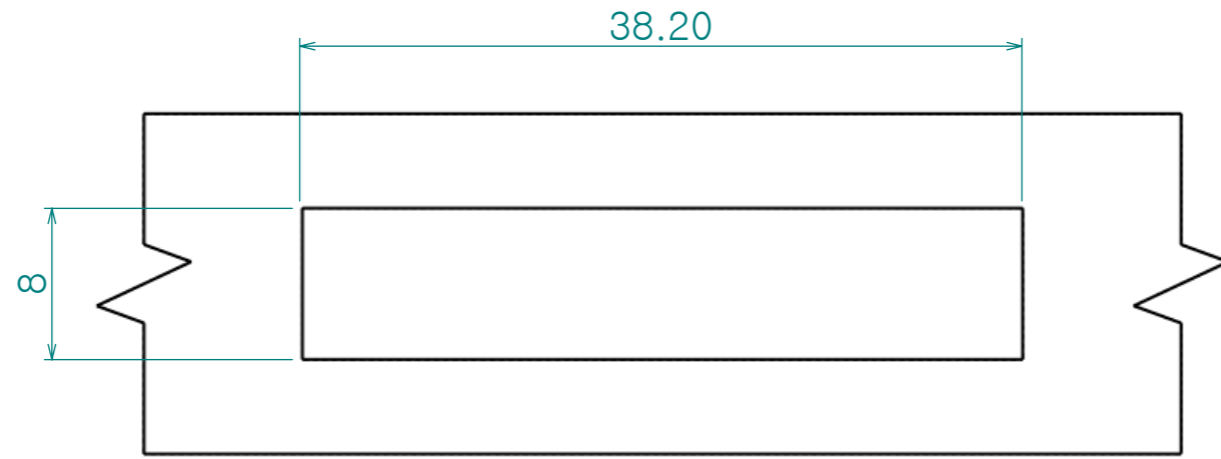
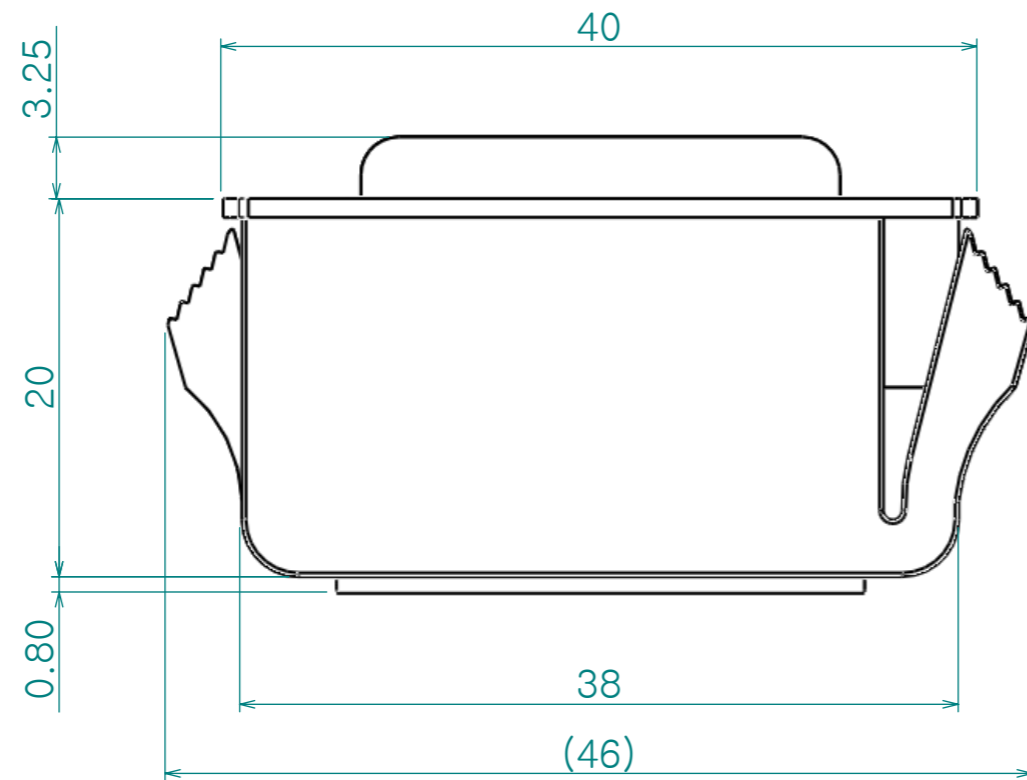
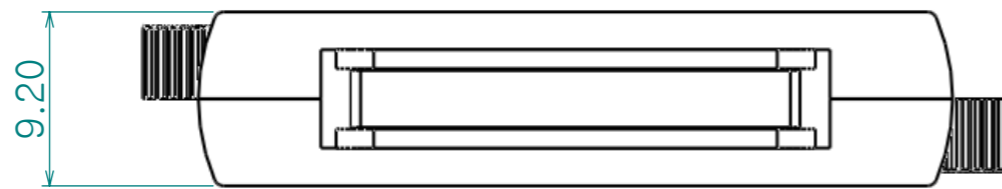


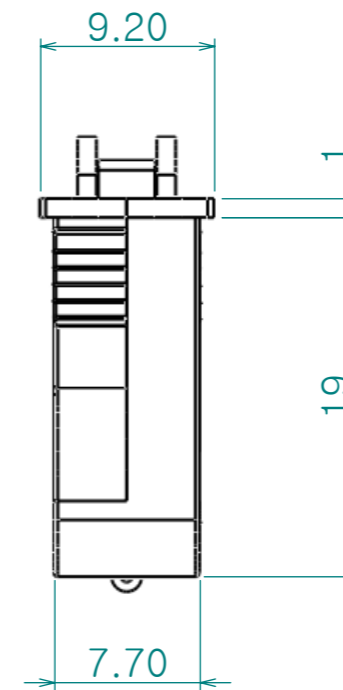
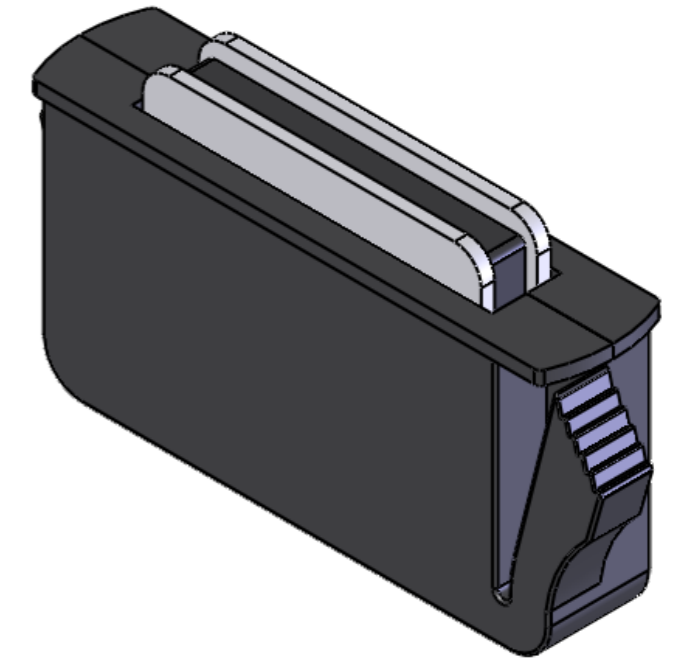
Dwg. No.



PANEL DRILLING DIMENSIONS



Re. No.	DESCRIPTION	DATE	DS.	CH.	AP.
△					
△					
△					



Note

- 1. 특징 :
- 2. 용도 :

Dimension (mm)	Precision	Material	Dwg. No.	QTY
0.5~3	±0.05	나일론	Part Name. CC-1021-01	Weight
3~6		Finish		-
6~30	±0.1	블랙	Ass'y Name	Scale
30~120	±0.15	Revision	-	2.5:1
120~315	±0.2	Sheet Size	A3	
315~1000	±0.3	Date	2010-05-18	Model No.
1000~2000	±0.5	Designed by	Shin S H	
KS B 0412에 준함		Checked by	Approved by	