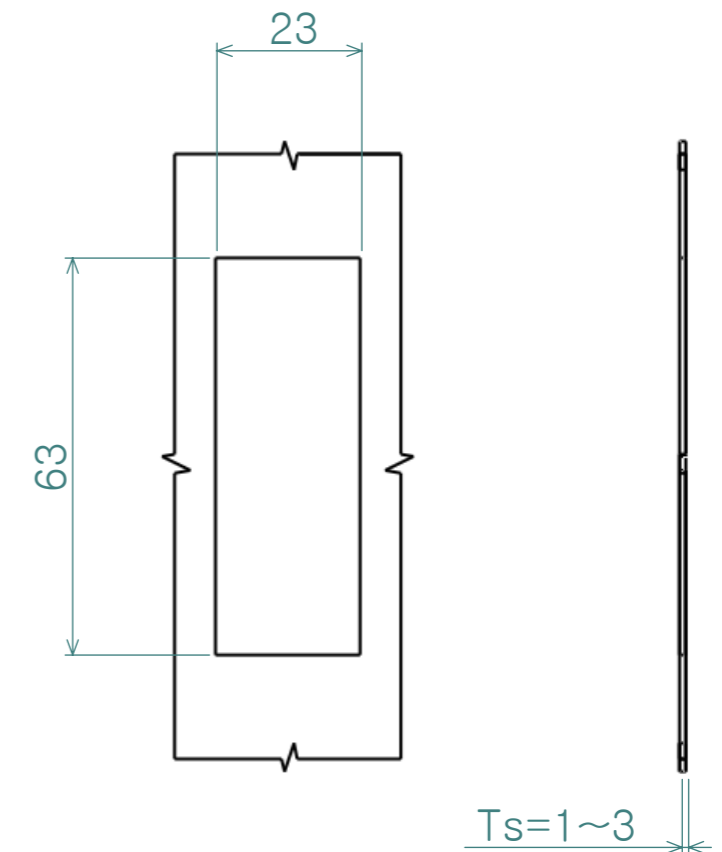
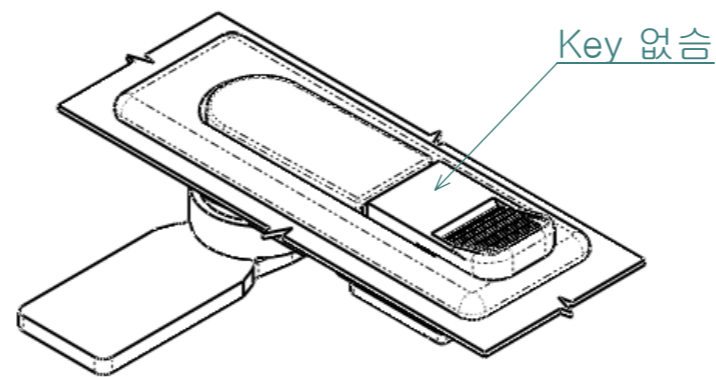
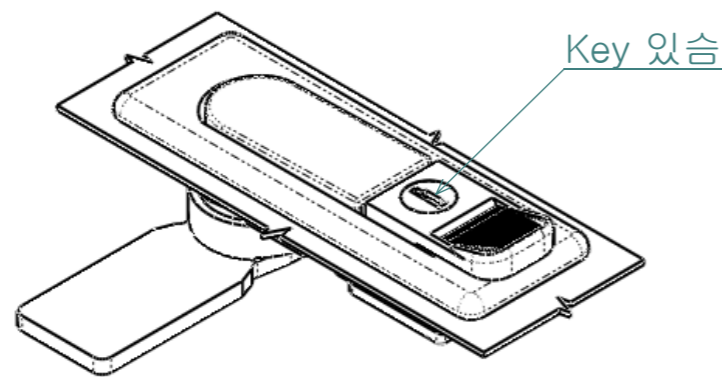
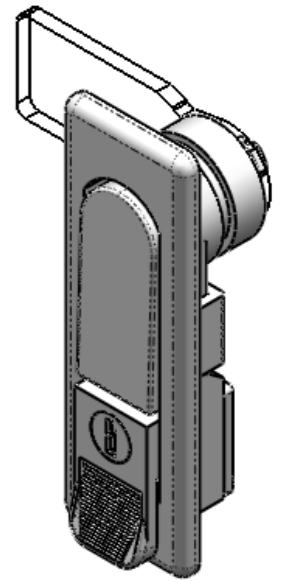
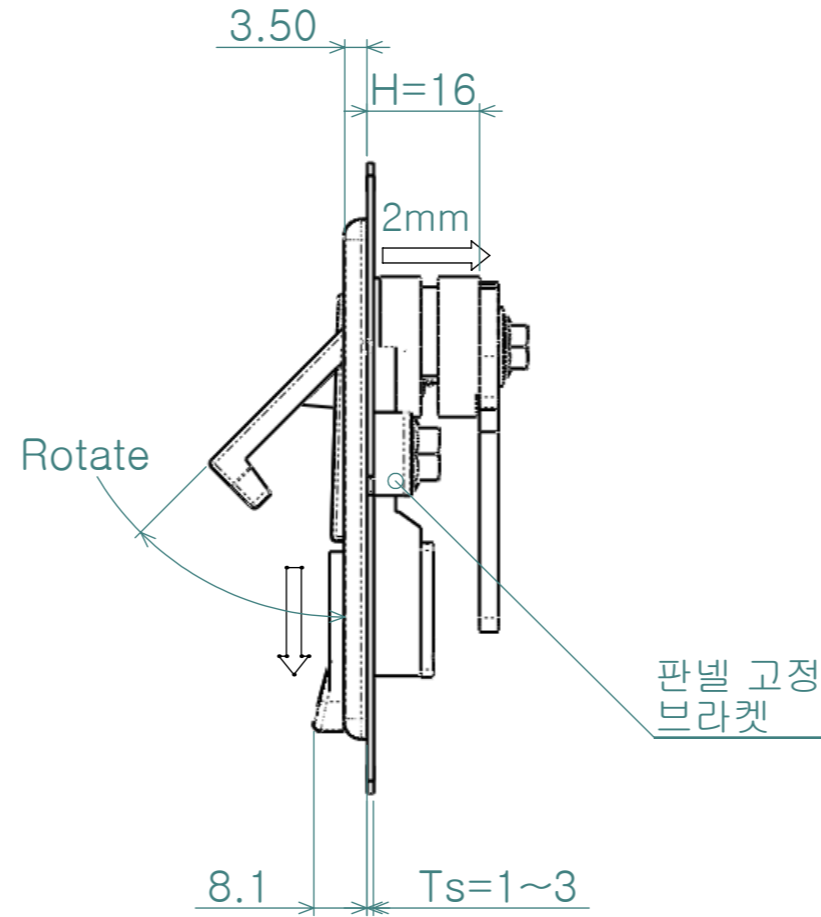
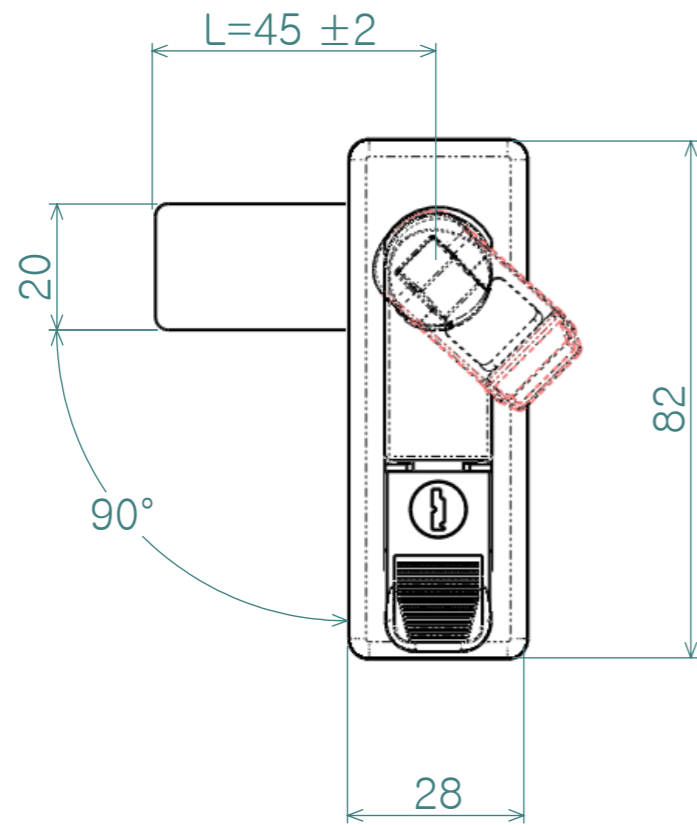


Re. No.	DESCRIPTION	DATE	DS.	CH.	AP.
△					
△					
△					



Panel Drilling Dimensions

Note

- 1. 특징 :
- 2. 용도 :

MS825-1

MS825-2

Dimension (mm)	Precision	Material	Dwg. No.	QTY	
0.5~3	±0.05	아연합금(Zinc),Steel	Part Name.	Weight	
3~6		Finish		-	
6~30	±0.1	크롬 베로아 도금,아연도금	Ass'y Name	Scale	
30~120	±0.15	Revision	Sheet Size	1:1.2	
120~315	±0.2	-	A3		
315~1000	±0.3	Date	Designed by	Model No.	
1000~2000	±0.5	2010-03-11	Shin S H		CA-MS825
KS B 0412에 준함		Checked by	Approved by		