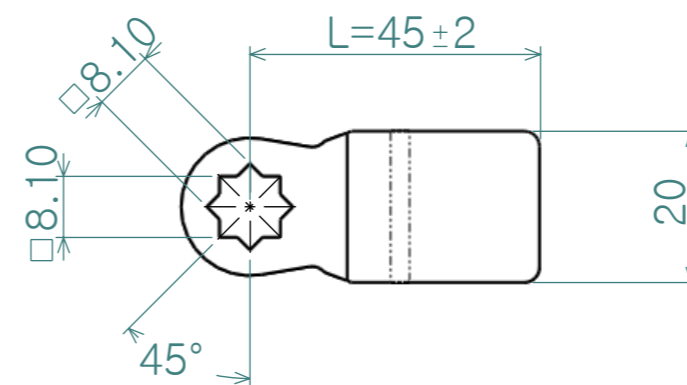
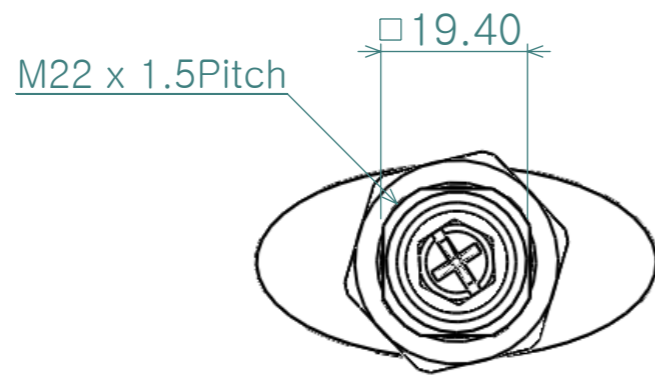
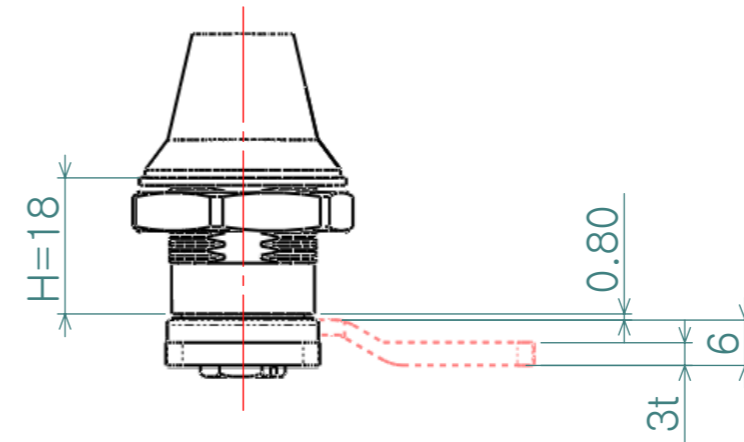
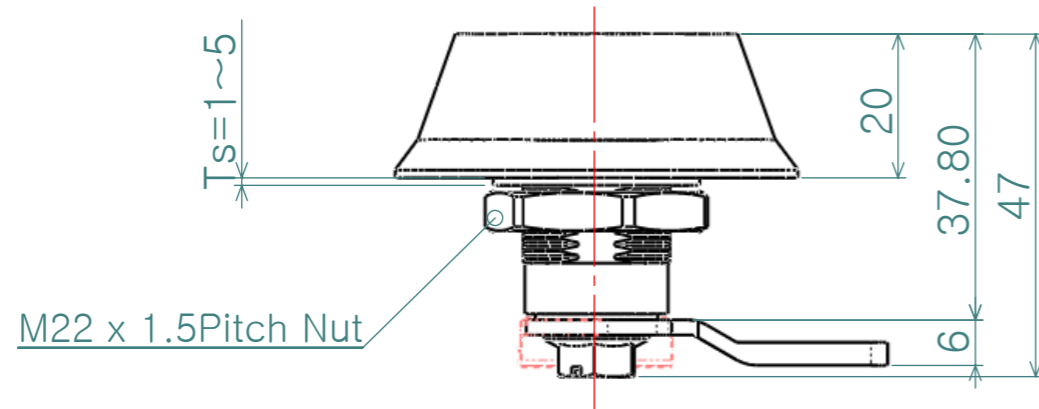
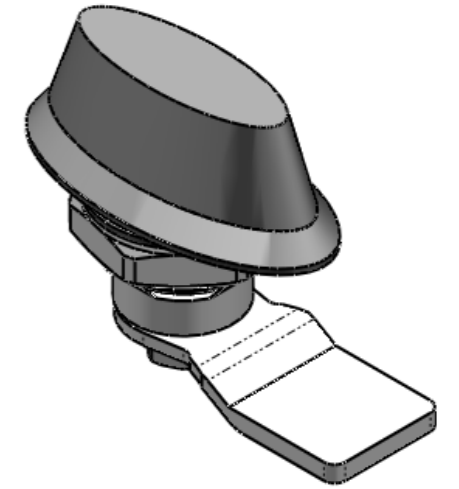
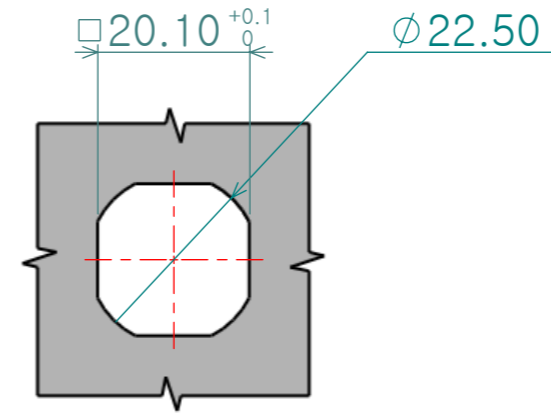
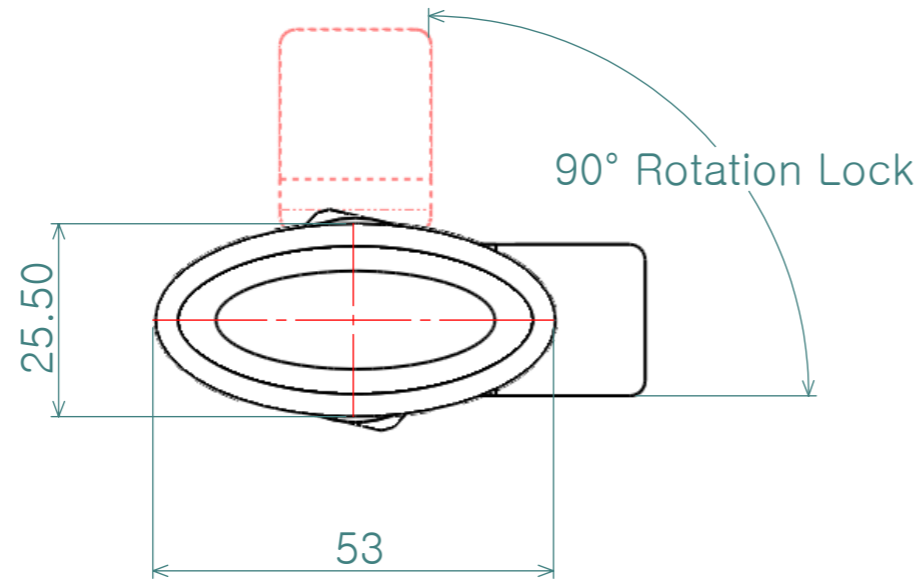


| Re. No. | DESCRIPTION | DATE | DS. | CH. | AP. |
|---------|-------------|------|-----|-----|-----|
| △ | | | | | |
| △ | | | | | |
| △ | | | | | |



Note

1. 특징 :
2. 용도 :

| | | | | |
|----------------|-----------|------------------|-------------|-----------|
| Dimension (mm) | Precision | Material | Dwg. No. | QTY |
| 0.5~3 | | 아연합금(Zinc),Steel | | |
| 3~6 | ±0.05 | Finish | Part Name. | Weight |
| 6~30 | ±0.1 | PVC Coating,아연도금 | MSS 705 | - |
| 30~120 | ±0.15 | Revision | Sheet Size | Scale |
| 120~315 | ±0.2 | - | A3 | 1:1 |
| 315~1000 | ±0.3 | Date | Designed by | Model No. |
| 1000~2000 | ±0.5 | 2010-03-12 | Shin S H | CC-MSS705 |
| KS B 0412에 준함 | | Checked by | Approved by | Hardware |