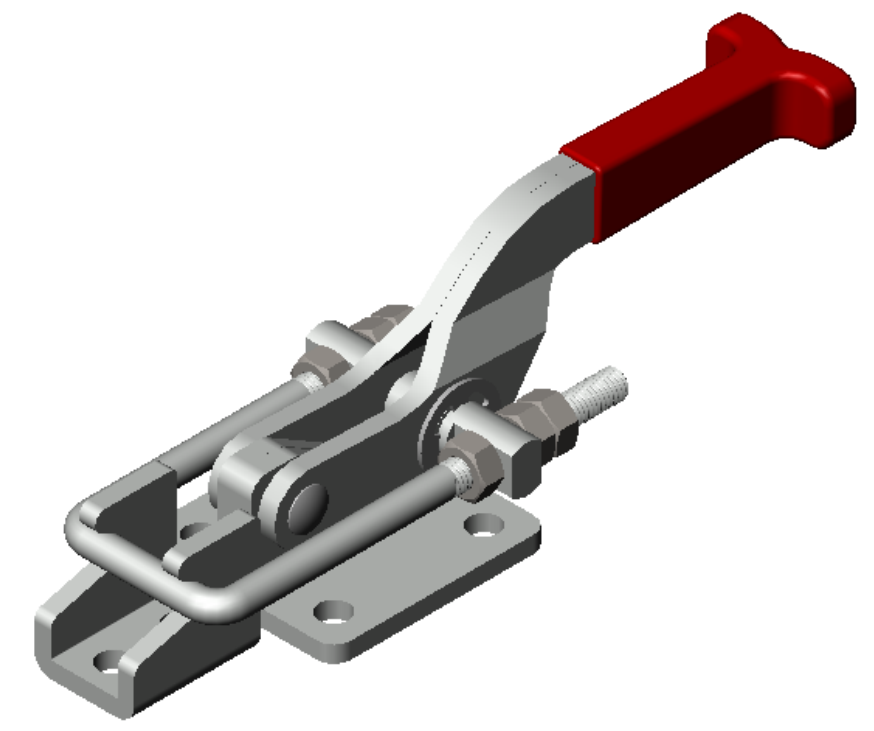
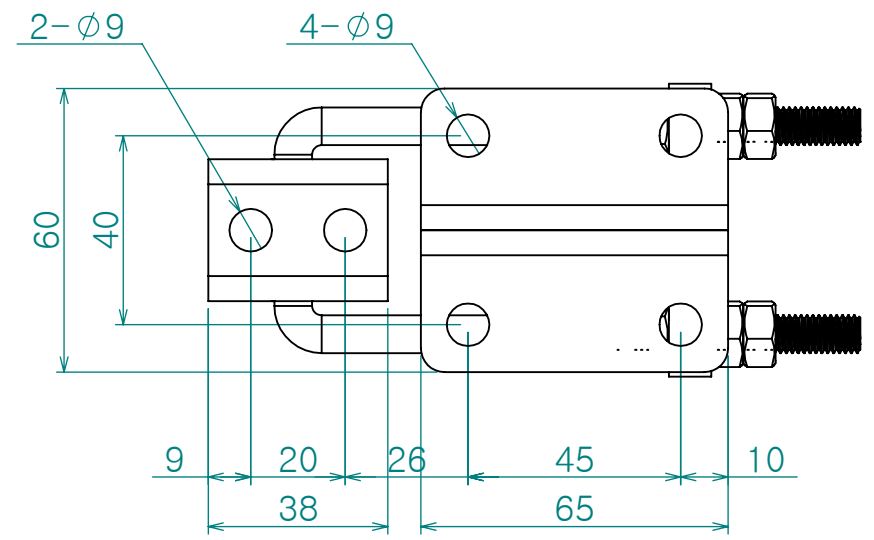
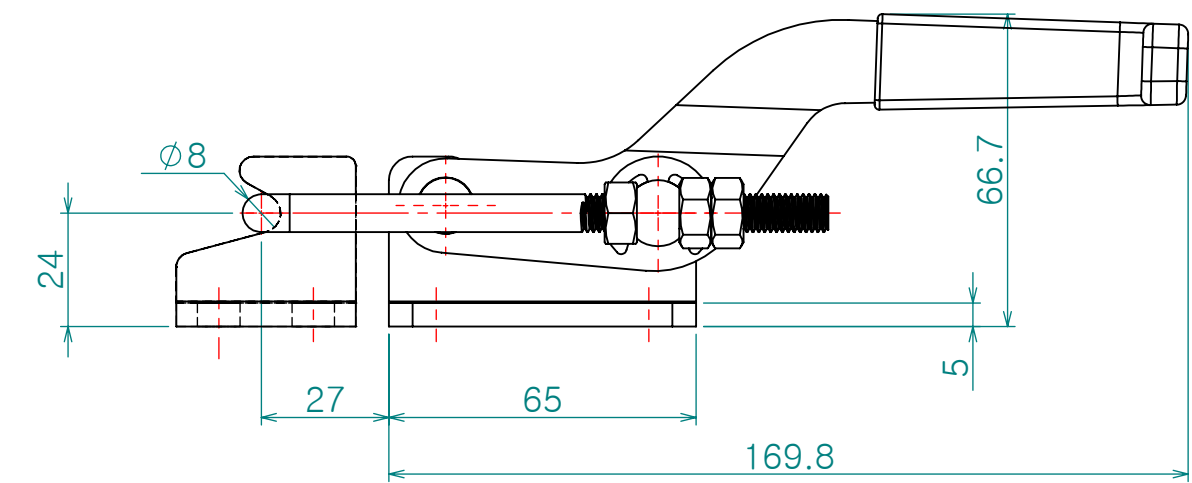
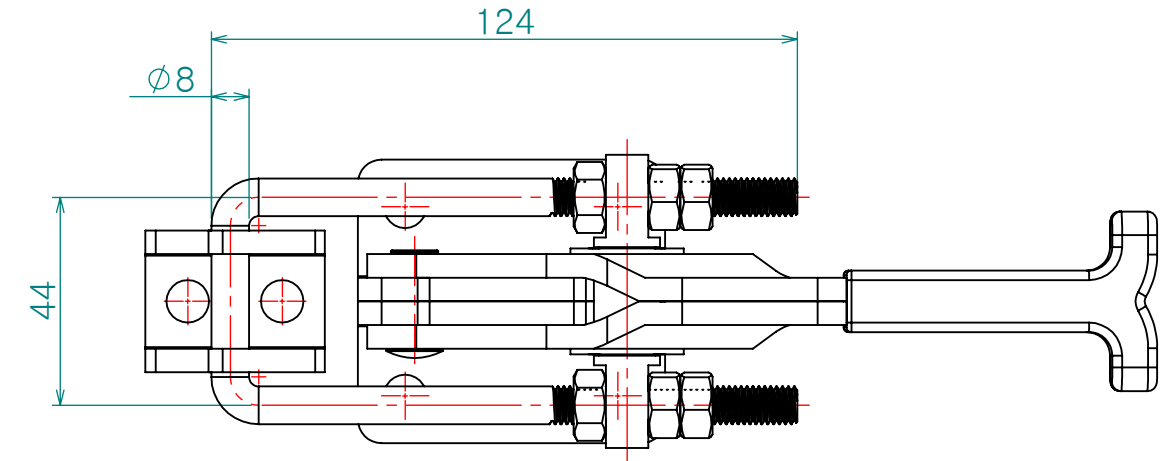
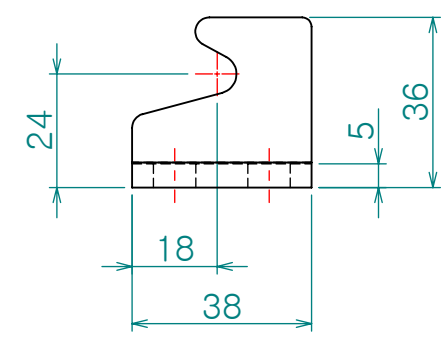
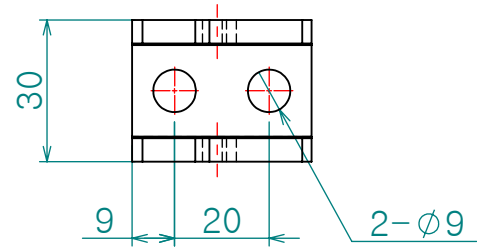




Re. No.	DESCRIPTION	DATE	DS.	CH.	AP.
△					
△					
△					



Note

- 1. 특징 :
- 2. 용도 :

품 번	재 질	표면처리
CR-1001-03	STAINLESS	바렐연마
CR-2001-03	STEEL	아연도금

Dimension (mm)	Precision	Material	Dwg. No.	QTY
0.5~3		STAINLESS	CR001-02	**
3~6	±0.05			Part Name.
6~30	±0.1	Finish	CR001-02	-
30~120	±0.15	**	Ass'y Name	Scale
120~315	±0.2	Revision	S/T 청색대	1:1.6
		Sheet Size	Model No.	
315~1000	±0.3	A3	CR-1001-03	
1000~2000	±0.5	Date		
		2010-02-10		
		Designed by		
		Shin S H		
		Checked by		
		Approved by		
KS B 0412에 준함				