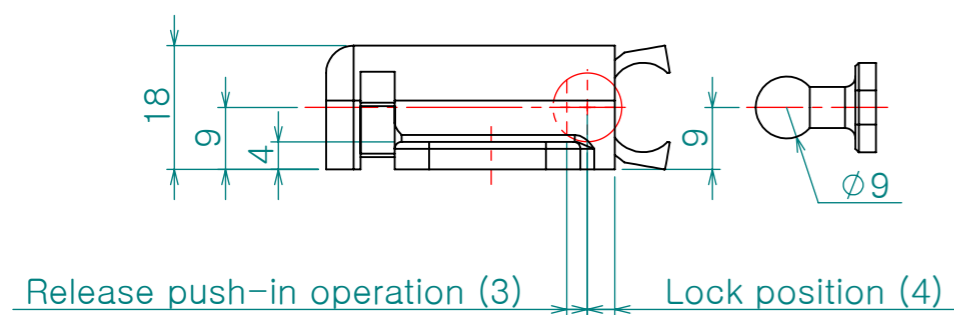
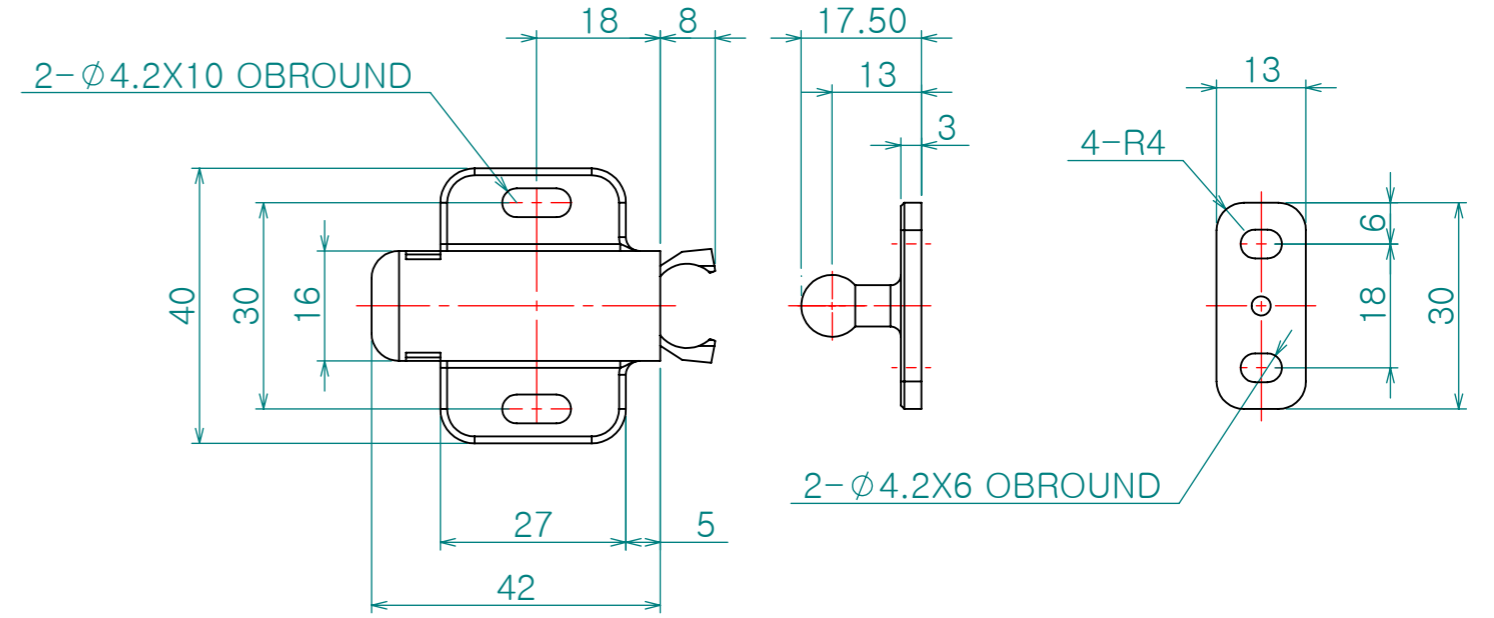
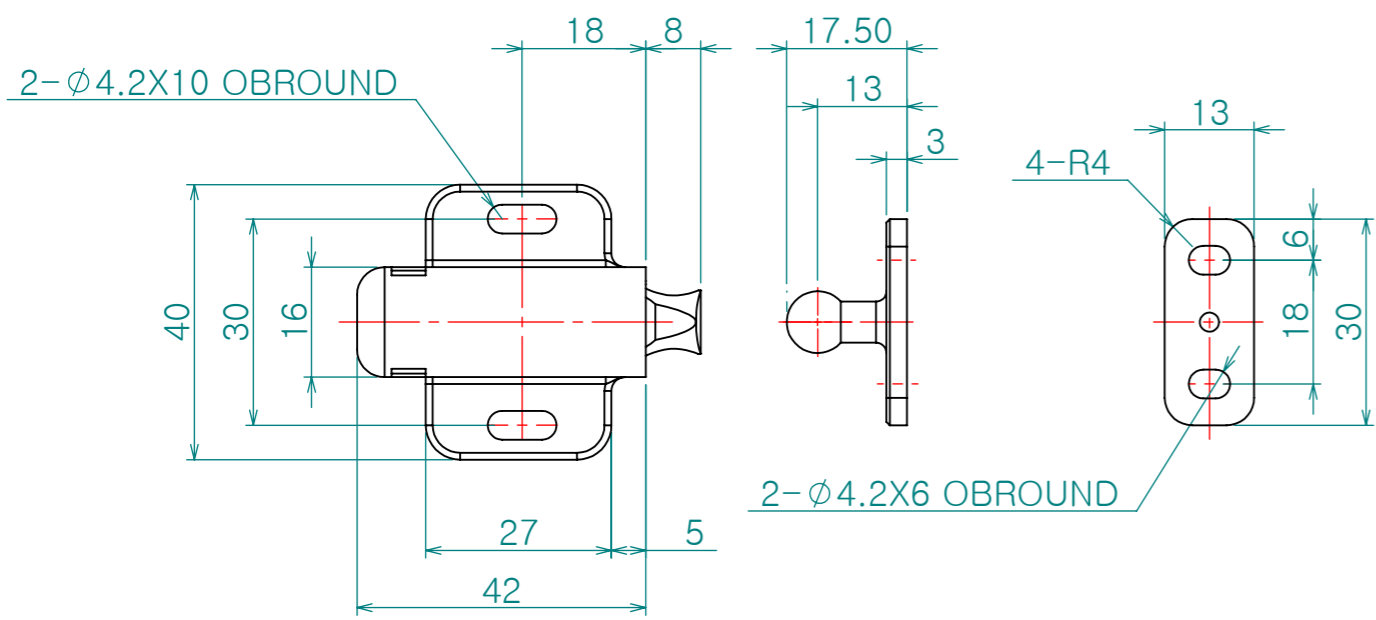
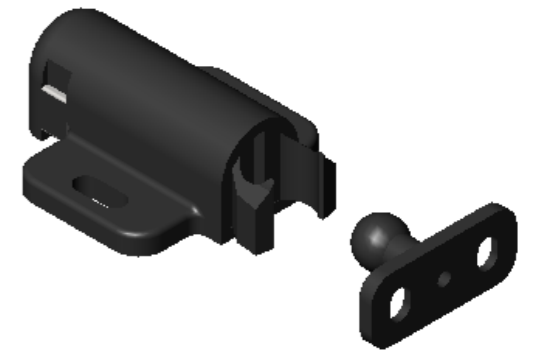
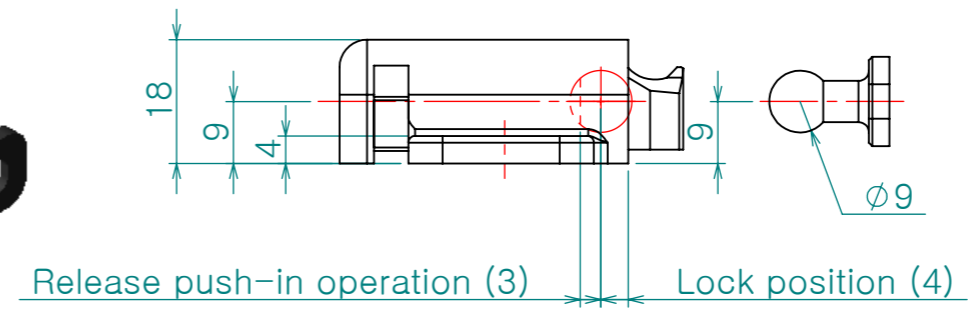


Re. No.	DESCRIPTION	DATE	DS.	CH.	AP.
△					
△					
△					



CC- 006-A



CC- 006-B

Note

- 1. 특징 :
- 2. 용도 :

Dimension (mm)	Precision	Material	Dwg. No.	QTY
0.5~3		Polyacetel		**
3~6	±0.05	Finish	Part Name.	Weight
6~30	±0.1	**	C-514	-
30~120	±0.15	Revision	Ass'y Name	Scale
120~315	±0.2	-	ONE TOUCH LATCHES	1:1.1
315~1000	±0.3	Date	Model No.	
1000~2000	±0.5	2010-02-18	CC- 006	
KS B 0412에 준함		Checked by		