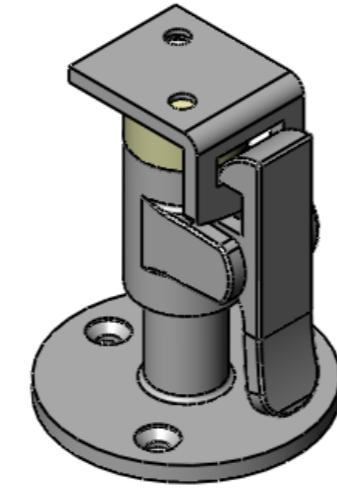
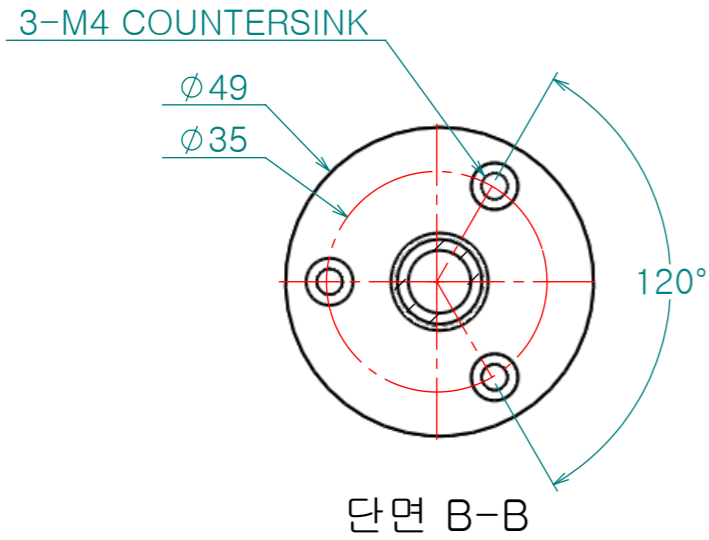
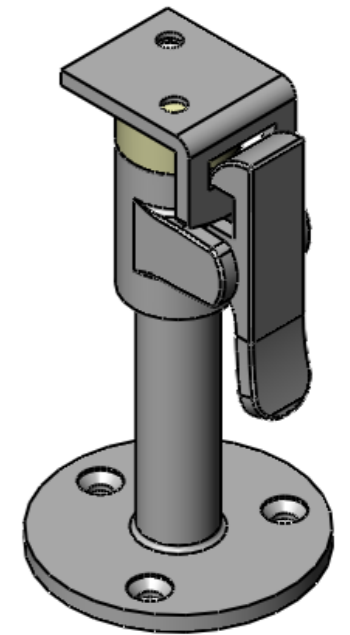
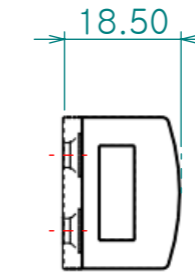
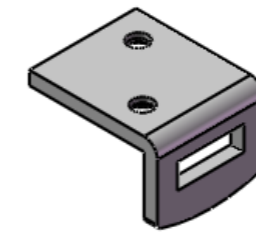
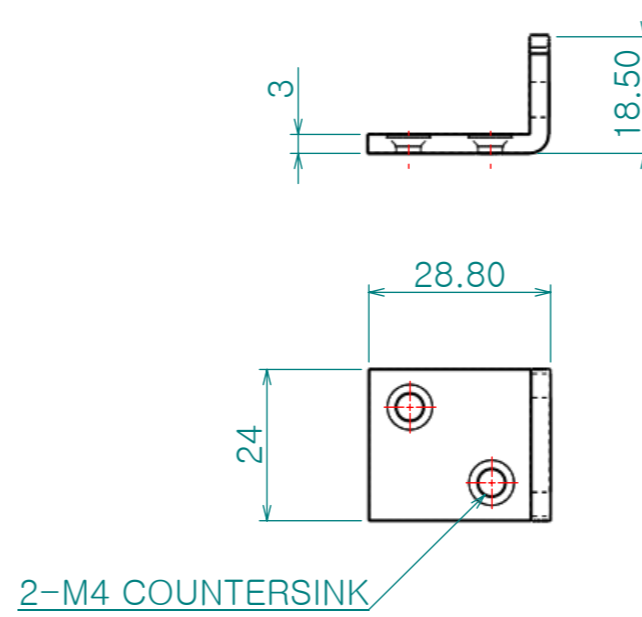


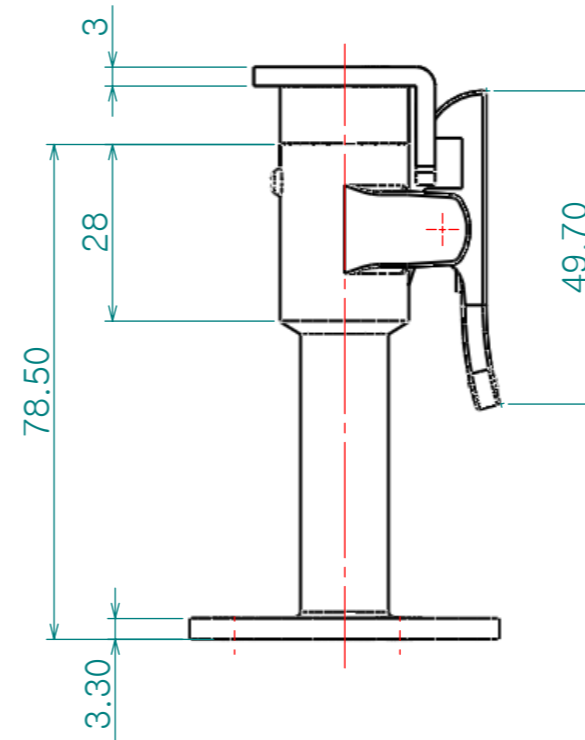
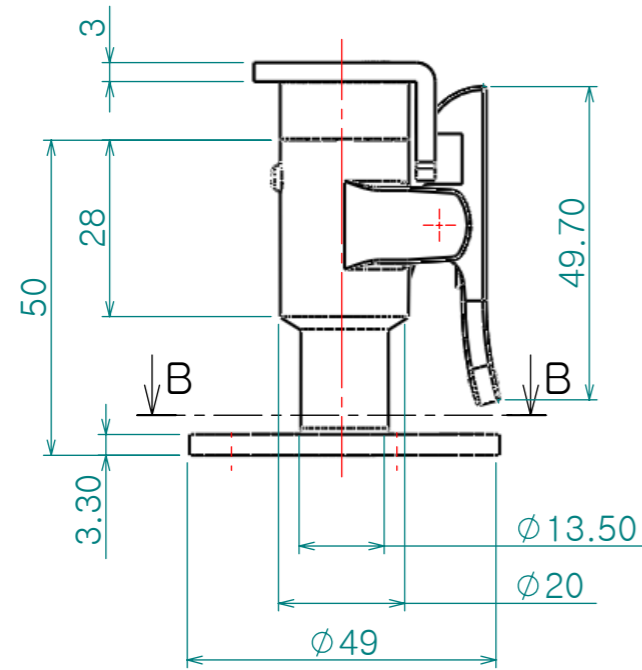
Re. No.	DESCRIPTION	DATE	DS.	CH.	AP.
△					
△					
△					



CM-D4162-01



CM-D4162-02



Note

- 특징 :
- 용도 :

Dimension (mm)	Precision	Material	Dwg. No.	QTY
0.5~3		STS316		**
3~6	±0.05	Finish	Part Name.	Weight
6~30	±0.1	광택연마	CM-D4162	-
30~120	±0.15	Revision	Sheet Size	Scale
120~315	±0.2	-	A3	1:1.2
315~1000	±0.3	Date	Designed by	Model No.
1000~2000	±0.5	2010-05-10	Shin S H	**
KS B 0412에 준함		Checked by	Approved by	
			Hardware	