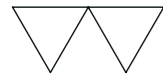
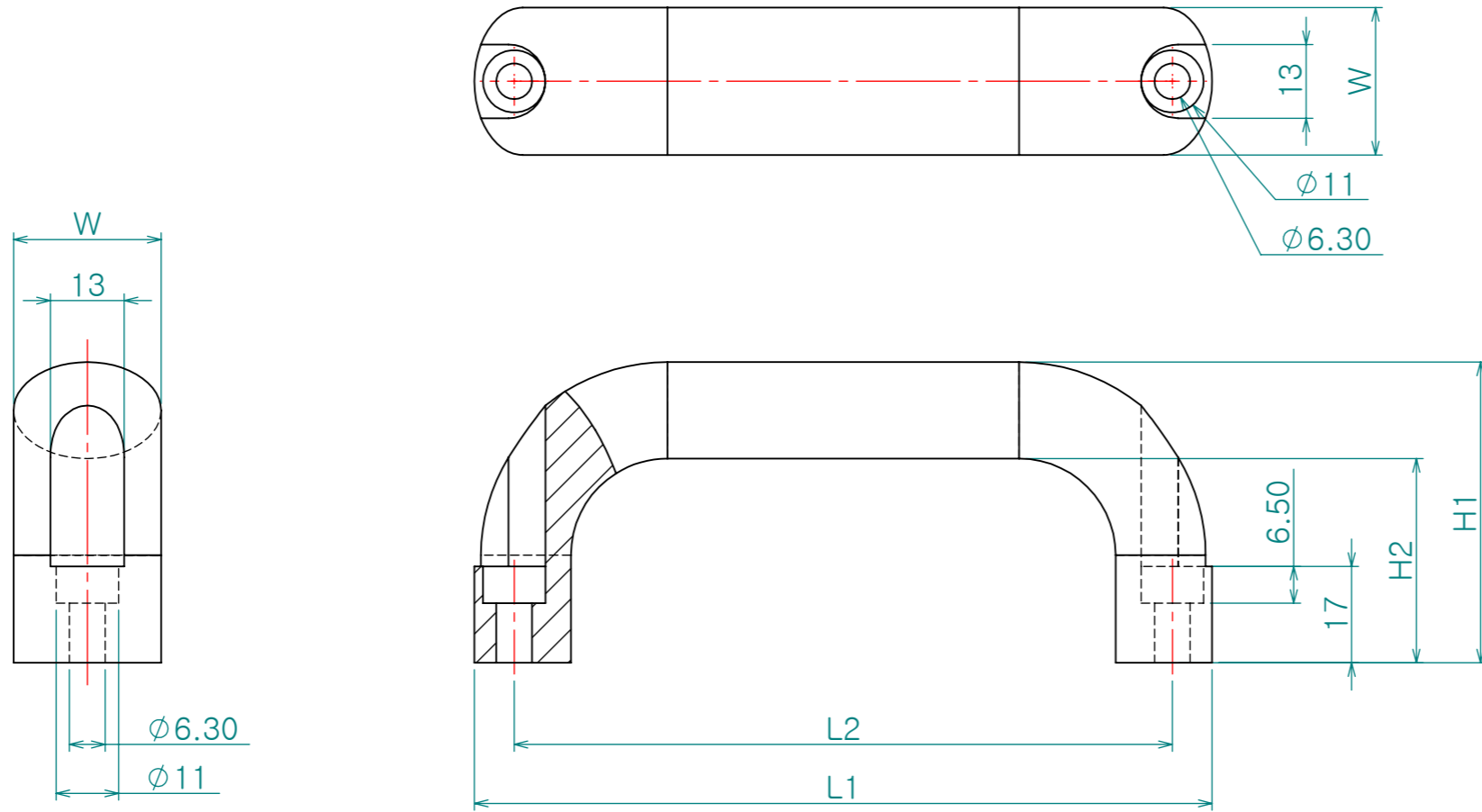


Dwg. No.



Re. No.	DESCRIPTION	DATE	DS.	CH.	AP.
△					
△					
△					



제품명	L1	L2	H1	H2	W
CA-005-1	130	116	53	36	26
CA-005-2	146	132	55	38	26
CA-005-3	178	64	57	40	26

Note

1. 특징 :
2. 용도 :

Dimension (mm)	Precision	Material	Dwg. No.	QTY
0.5~3	±0.05	알루미늄 합금	Part Name. UADL	*EA
3~6		Finish		Weight
6~30	±0.1	**	Ass'y Name	-
30~120	±0.15	Revision	**	Scale
120~315	±0.2	-	Sheet Size A3	1:1.2
315~1000	±0.3	Date	Designed by	Model No. CA-005
1000~2000	±0.5	2010-02-09	<i>Shin S H</i>	
KS B 0412에 준함		Checked by	Approved by	
Hardware				