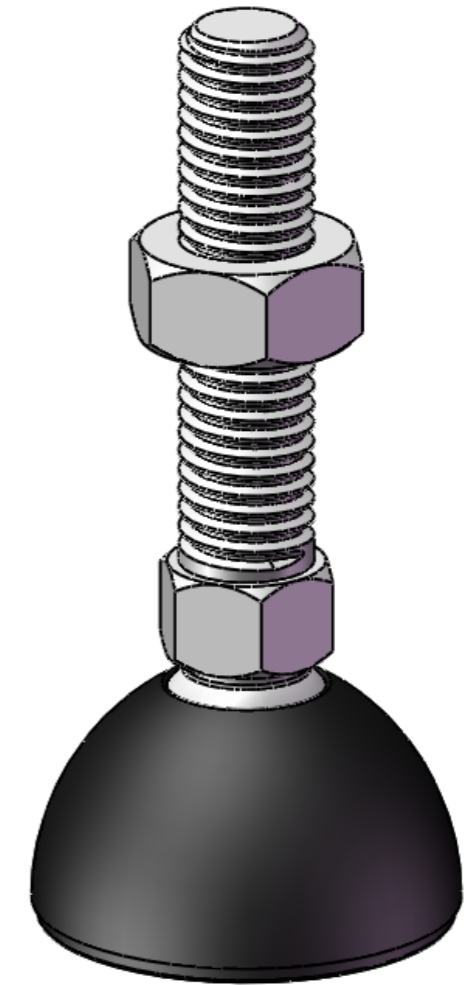
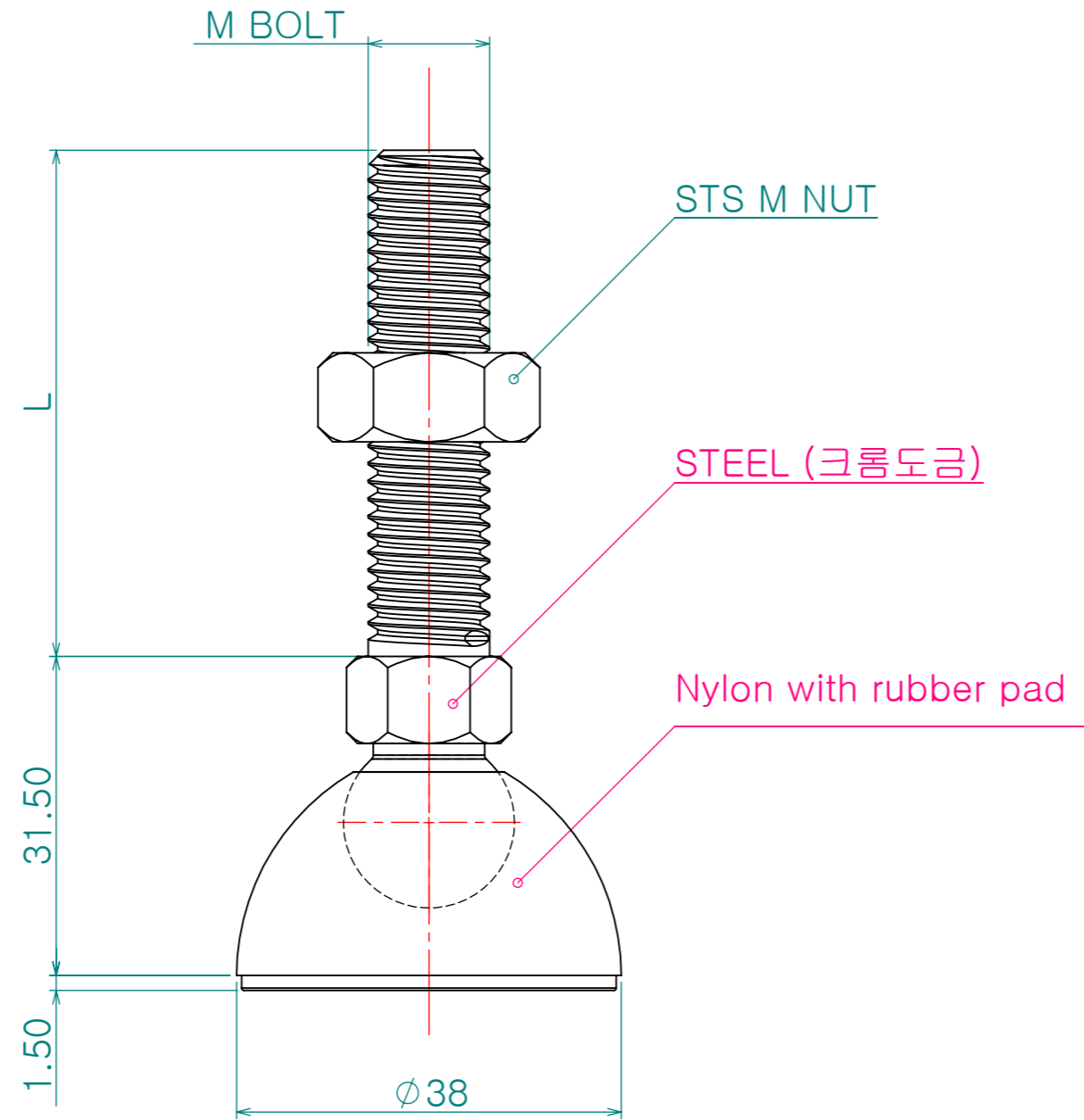


Re. No.	DESCRIPTION	DATE	DS.	CH.	AP.
△					
△					
△					



제품명	L	M BOLT	M NUT
CE-2001-A	50	8	8
CE-2001-B	100	10	10
CE-2001-C	50	12	12

Note

1. 특징 :

2. 용도 :

Dimension (mm)	Precision	Material	Dwg. No.	QTY
0.5~3	±0.05	STEEL	Part Name.	*EA
3~6		Finish		Weight
6~30	±0.1	크롬도금	**	-
30~120	±0.15	Revision	Sheet Size	Scale
120~315	±0.2	-	A3	1.5:1
315~1000	±0.3	Date	Designed by	Model No.
1000~2000	±0.5	2010-03-03	Shin S H	
KS B 0412에 준함		Checked by	Approved by	CE-2001